



www.logato.se

ARIA



HEAT RECOVERY VENTILATION SYSTEM

63 mm/ 75mm / 90mm

TECHNICAL DATA





Distribution box with OneClick technology® is connected directly to the MHRV unit and used to supply fresh air into habitable rooms or extract used air from the „dirty“ rooms.

1 distribution box will allow the connection of up to 12 63 mm pipes and the main central or side approach. The installation requires the use of two sets of boxes – for supply air and for exhaust air.



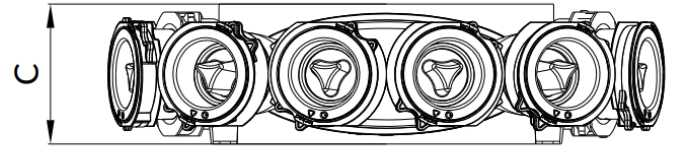
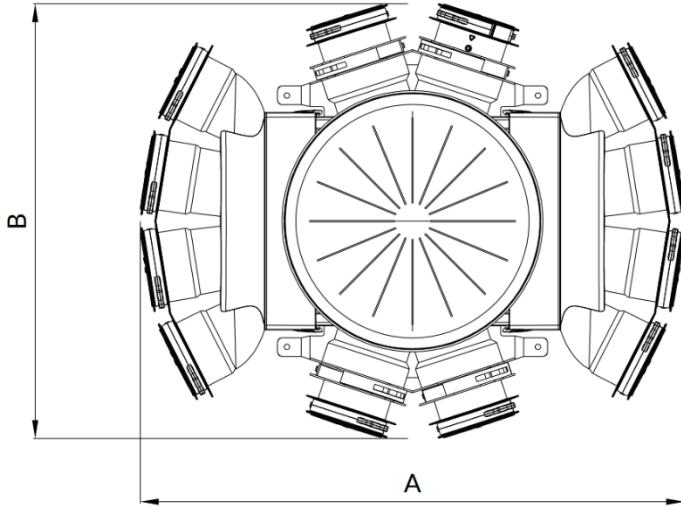
- ⌚ Sockets with gaskets and rings in the OneClick technology® - 12 x 63 mm in basic configuration allowing for quick and convenient installation of ventilation pipes.
- ⌚ Modular construction enables expansion with additional distribution boxes using horizontal (16 x 63 mm) and vertical couplings (24 x 63 mm)
- ⌚ Designed to be connected to the main central connector or the main side connector.
- ⌚ High mechanical resistance thanks to the use of specialized additive in the form of a plasticizer.
- ⌚ The highest airtightness class - ATC1 according to PN-EN 17192

DISTRIBUTION BOX 12X63mm HEATPEX CONNECT ARIA



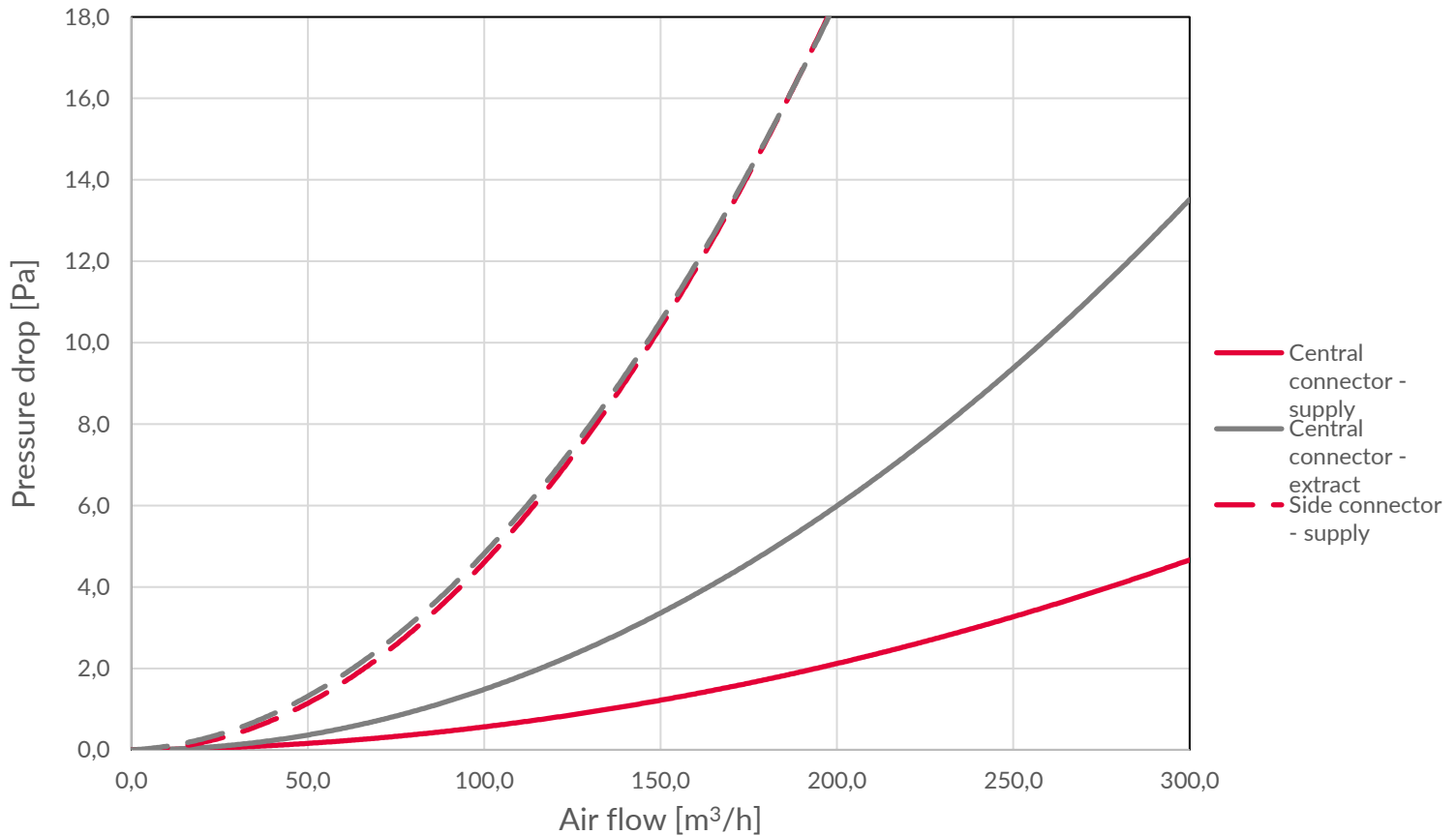


SYSTEM	DIMENSIONS			NUMBER OF SOCKETS	MATERIAL	WEIGHT	AIRTIGHTNESS CLASS	CATALOGUE NUMBER
	Length A	Width B	Height C					
63 mm	531 mm	424 mm	106 mm	12	PP	1,85 kg	ATC1	52306300100W



DISTRIBUTION BOX 12X63mm HEATPEX CONNECT ARIA

HEATPEX ARIA CONNECT 12x63 Distribution box





1. DISTRIBUTION BOX 12x63 mm WITH MAIN SIDE CONNECTOR
2. DISTRIBUTION BOX 12x63 mm WITH MAIN CENTRAL CONNECTOR
3. TWO DISTRIBUTION BOXES 12x63 mm CONNECTED VERTICALLY WITH MAIN CENTRAL CONNECTOR.
4. TWO DISTRIBUTION BOXES 12x63 mm CONNECTED HORIZONTALLY WITH MAIN CENTRAL CONNECTOR.
5. TWO DISTRIBUTION BOXES 12x63 mm CONNECTED HORIZONTALLY WITH MAIN SIDE CONNECTOR.
6. DISTRIBUTION BOX 12x63 mm WITH DISTRIBUTION BOX END PLUG.

DISTRIBUTION BOXES CONFIGURATIONS



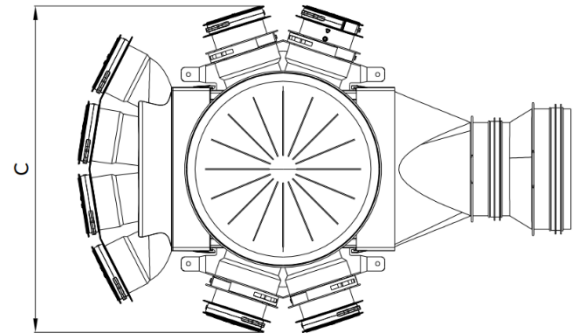
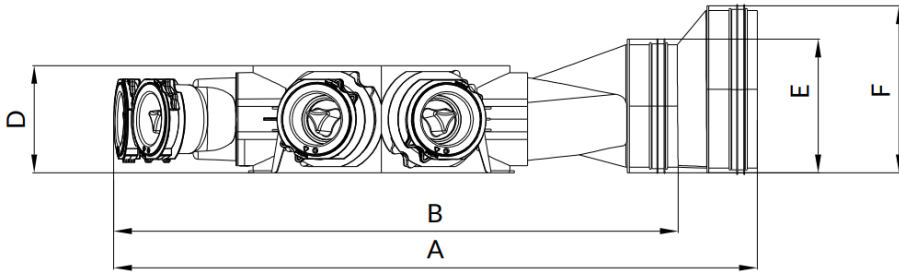


TECHNICAL DATA SHEET



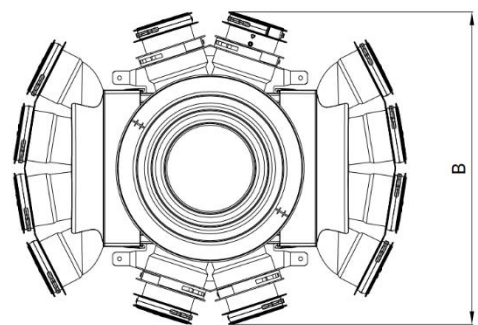
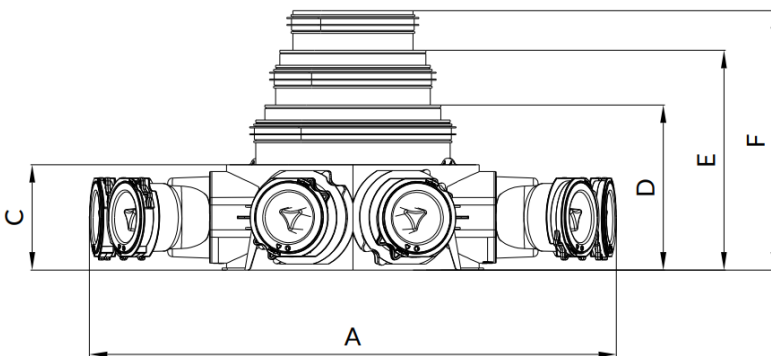
1. DISTRIBUTION BOX 12x63 mm WITH MAIN SIDE CONNECTOR

SYSTEM	DIMENSIONS					
63 mm	Length A	Length B	Width C	Height D	Height E	Height F
	638 mm	560 mm	423 mm	106 mm	132 mm	165 mm



2. DISTRIBUTION BOX 12x63 mm WITH MAIN CENTRAL CONNECTOR

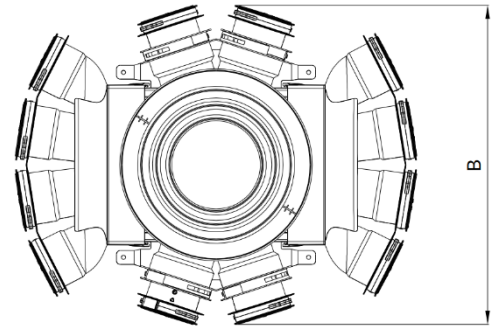
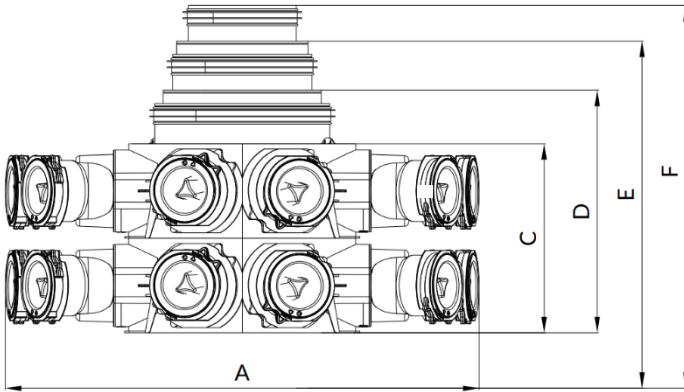
SYSTEM	DIMENSIONS					
63 mm	Length A	Width B	Height C	Height D	Height E	Height F
	530 mm	423 mm	106 mm	166 mm	221mm	261 mm



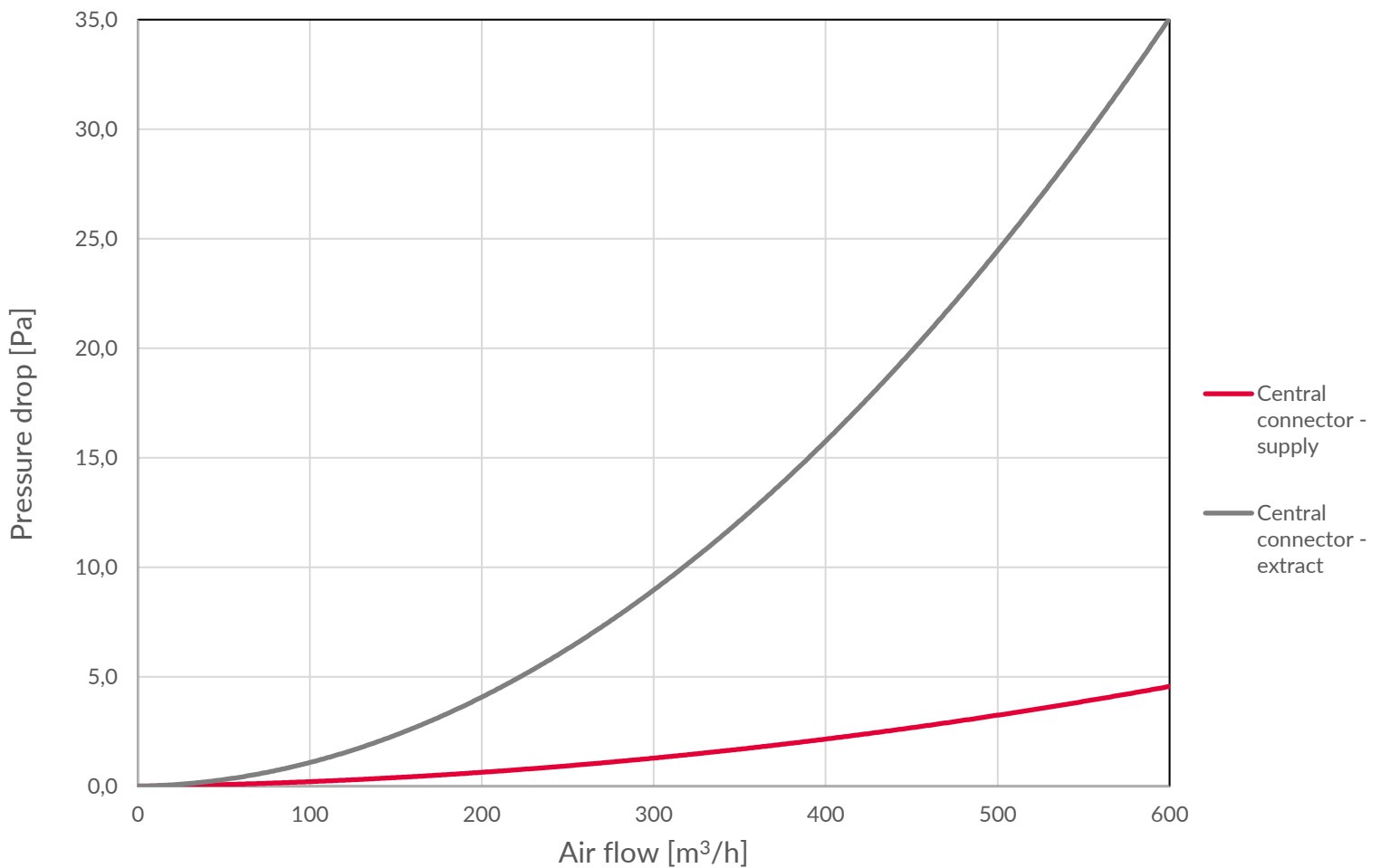


3. TWO DISTRIBUTION BOXES 12x63mm CONNECTED VERTICALLY WITH MAIN CENTRAL CONNECTOR

SYSTEM	DIMENSIONS					
63 mm	Length A	Width B	Height C	Height D	Height E	Height F
	530 mm	423 mm	214 mm	270 mm	326 mm	368 mm



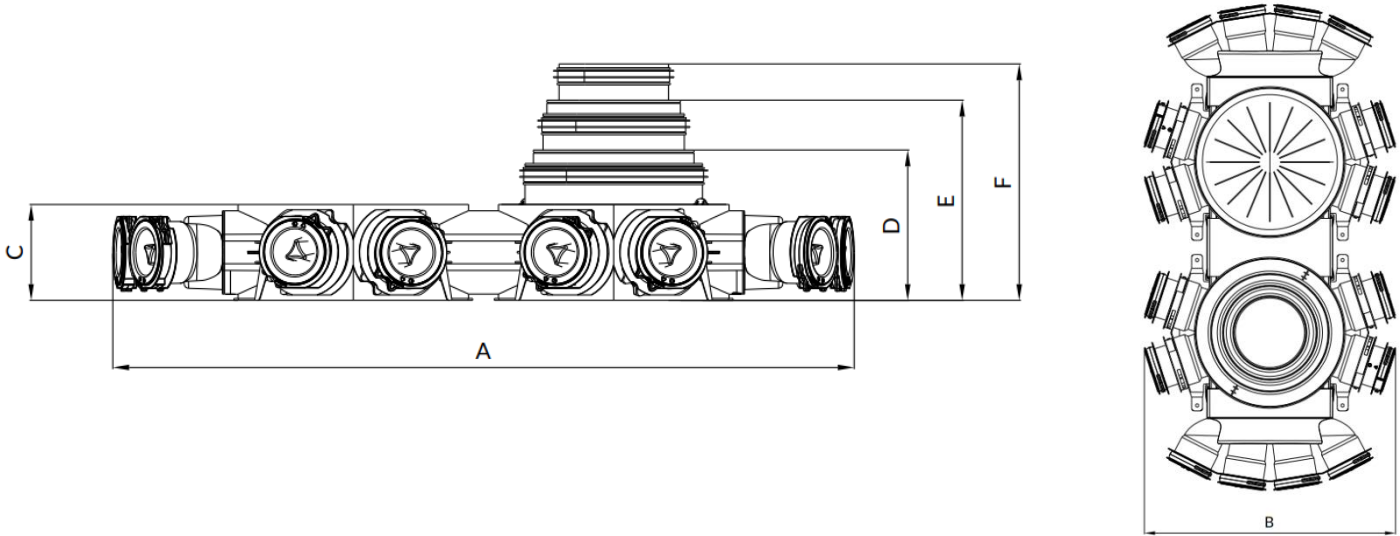
HEATPEX Aria Connect 12x63 Distribution box 2x vertical





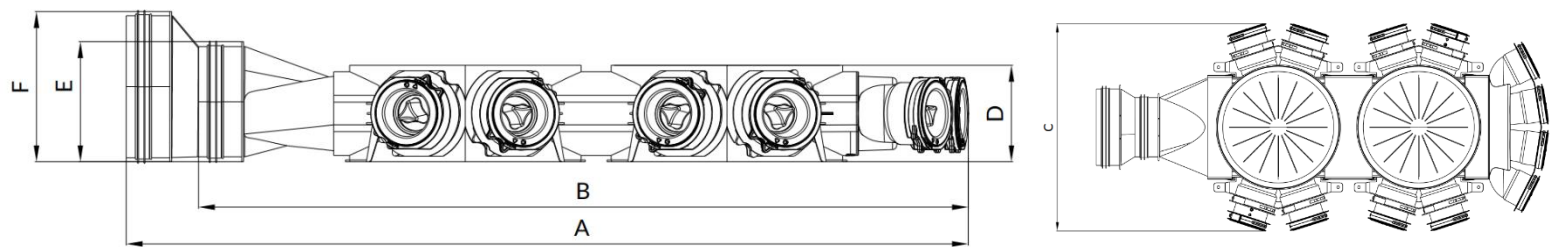
4. TWO DISTRIBUTION BOXES 12x63 mm CONNECTED HORIZONTALLY WITH MAIN CENTRAL CONNECTOR

SYSTEM	DIMENSIONS					
63 mm	Length A	Width B	Height C	Height D	Height E	Height F
	819 mm	423 mm	106 mm	166 mm	221 mm	261 mm



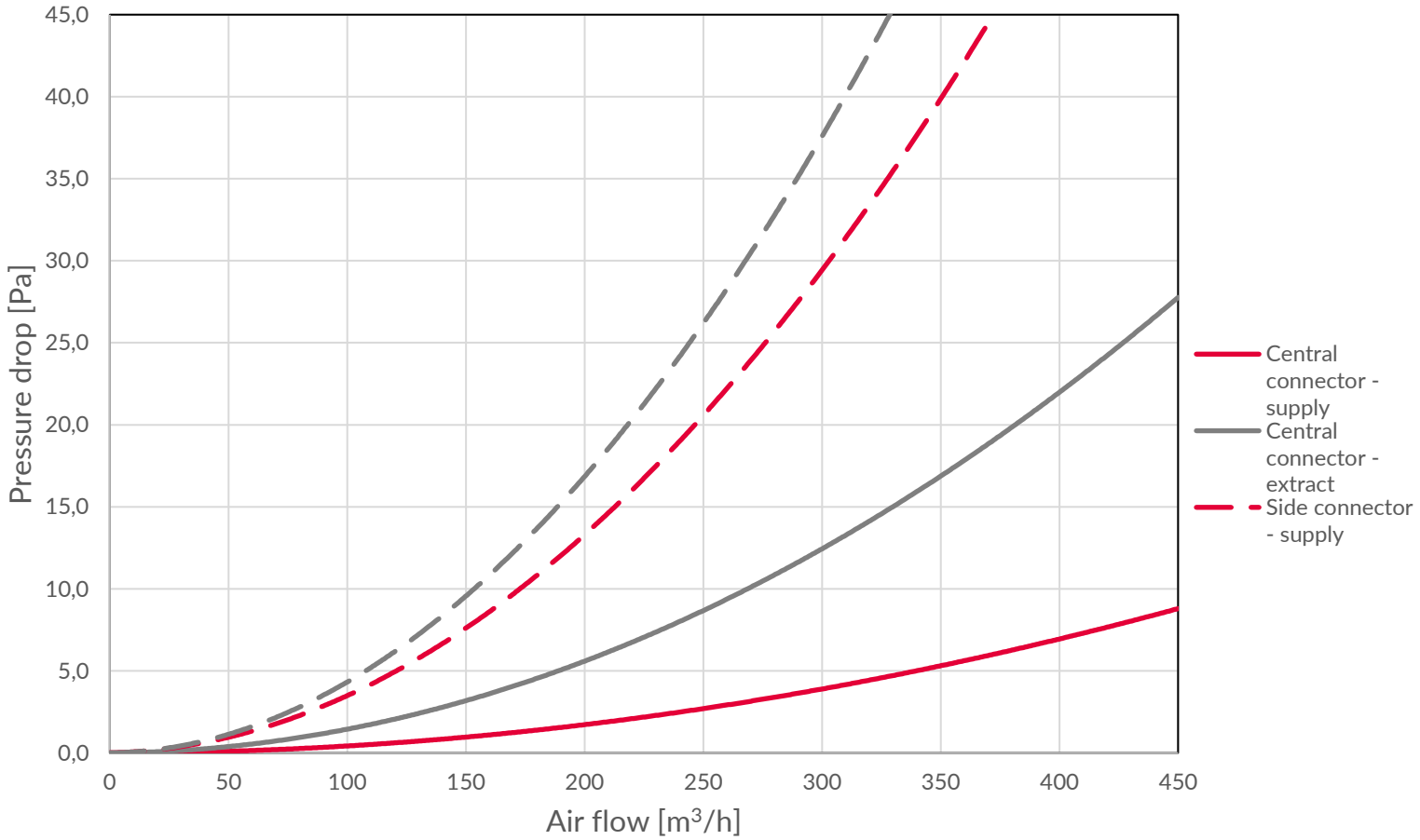
5. TWO DISTRIBUTION BOXES 12x63 mm CONNECTED HORIZONTALLY WITH MAIN SIDE CONNECTOR.

SYSTEM	DIMENSIONS					
63 mm	Length A	Length B	Width C	Height D	Height E	Height F
	926 mm	846 mm	423 mm	106 mm	132 mm	165 mm



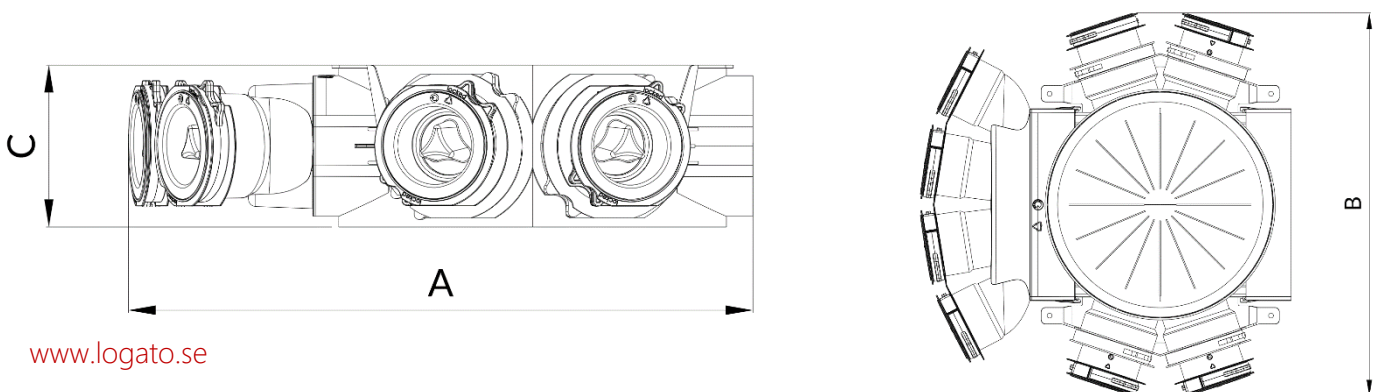


HEATPEX Aria Connect 12x63 Distribution box 2x horizontal



5. DISTRIBUTION BOX 12x63 mm WITH DISTRIBUTION BOX END PLUG

SYSTEM	DIMENSIONS		
	Length A	Width B	Height C
63 mm	410 mm	470 mm	106 mm





Distribution box with OneClick technology® is connected directly to the MHRV unit and used to supply fresh air into habitable rooms or extract used air from the „dirty“ rooms.

1 distribution box will allow the connection of up to 10 75 mm pipes and the main central or side approach. The installation requires the use of two sets of boxes – for supply air and for exhaust air..



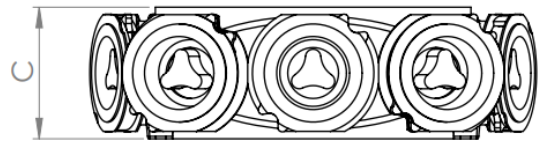
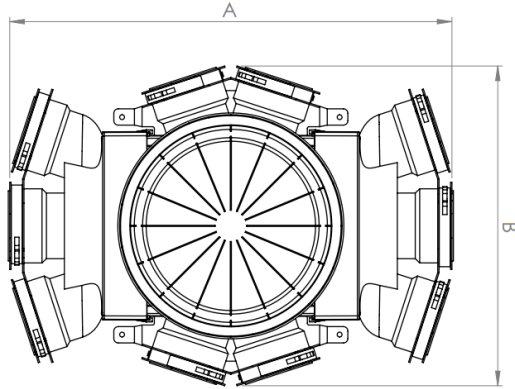
- ⌚ Sockets with gaskets and rings in the OneClick technology® - 10 x 75 mm in basic configuration allowing for quick and convenient installation of ventilation pipes.
- ⌚ Modular construction enables expansion with additional distribution boxes using horizontal (14 x 75 mm) and vertical couplings (20 x 75 mm)
- ⌚ Designed to be connected to the main central connector or the main side connector.
- ⌚ High mechanical resistance thanks to the use of specialized additive in the form of a plasticizer.
- ⌚ The highest airtightness class - ATC1 according to PN-EN 17192

DISTRIBUTION BOX 10X75mm HEATPEX CONNECT ARIA



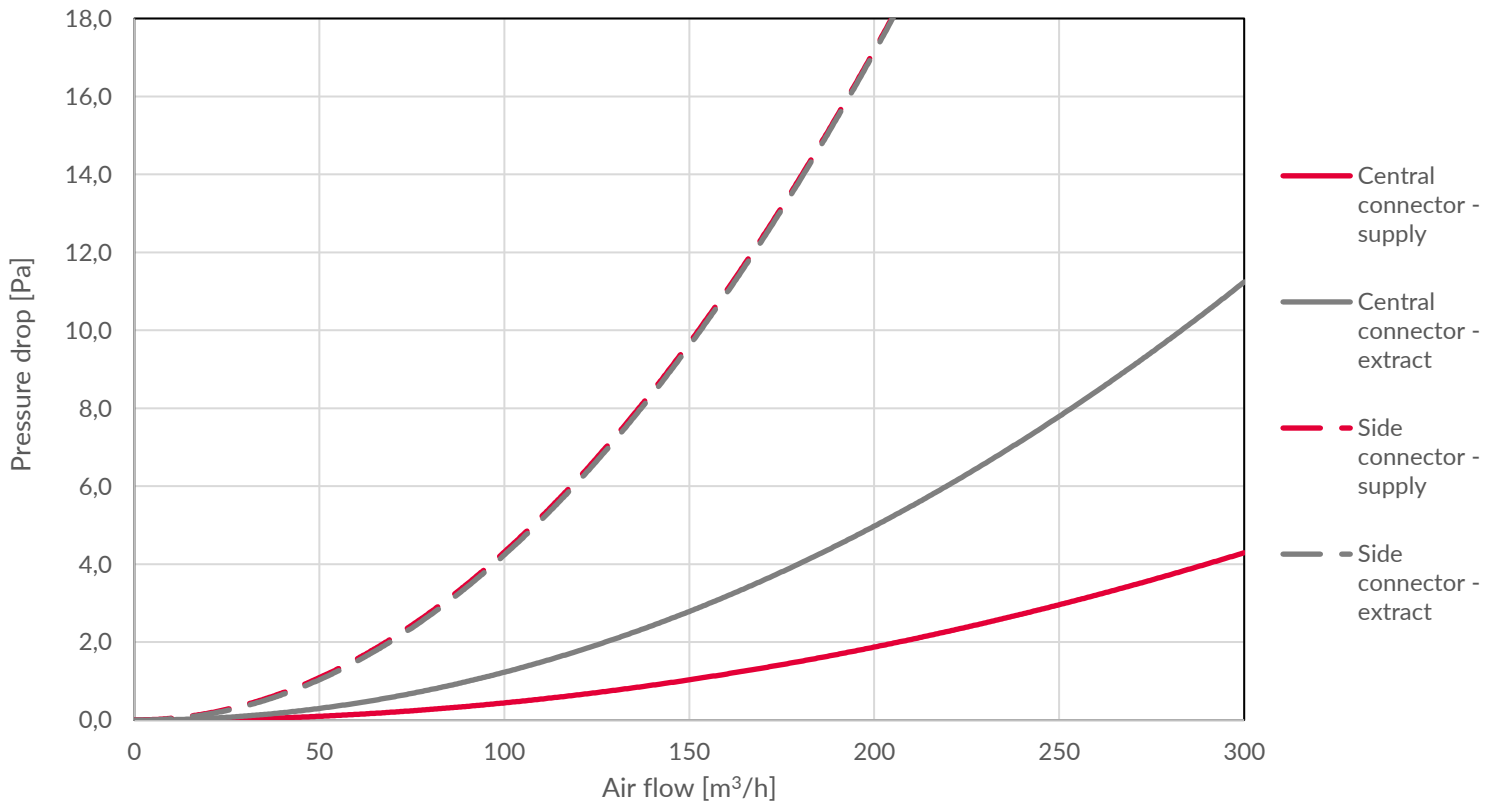


SYSTEM	DIMENSIONS			NUMBER OF SOCKETS	MATERIAL	WEIGHT	AIRTIGHTNESS CLASS	CATALOGUE NUMBER
	Length A	Width B	Height C					
75 mm	A	B	C	10	PP	1,47 kg	ATC1	523000001W
	498 mm	360 mm	106 mm					



DISTRIBUTION BOX 10X75mm HEATPEX CONNECT ARIA

HEATPEX ARIA CONNECT 10x75 Distribution box





www.logato.se



1. DISTRIBUTION BOX 10 X 75mm WITH MAIN SIDE CONNECTOR.
2. DISTRIBUTION BOX 10 X 75mm WITH MAIN CENTRAL CONNECTOR
3. TWO DISTRIBUTION BOXES 10 X 75mm CONNECTED VERTICALLY WITH MAIN CENTRAL CONNECTOR.
4. TWO DISTRIBUTION BOXES 10 X 75mm CONNECTED HORIZONTALLY WITH MAIN CENTRAL CONNECTOR.
5. TWO DISTRIBUTION BOXES 10 X 75mm CONNECTED HORIZONTALLY WITH MAIN SIDE CONNECTOR.
6. DISTRIBUTION BOX 10 X 75mm WITH DISTRIBUTION BOX END PLUG.

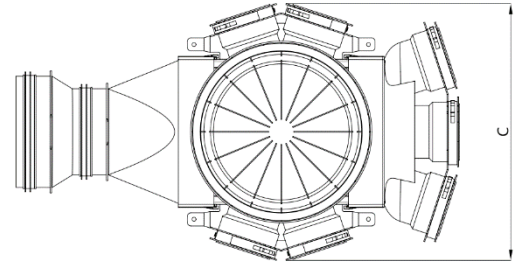
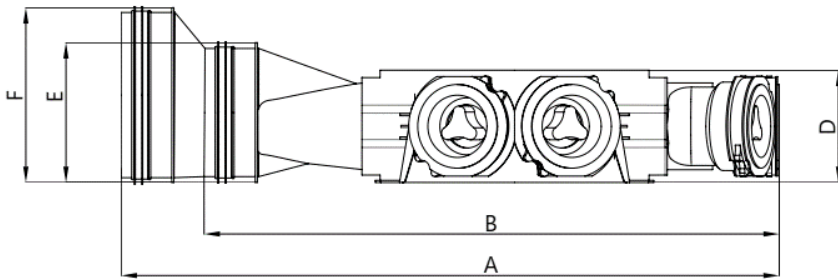
DISTRIBUTION BOXES CONFIGURATIONS





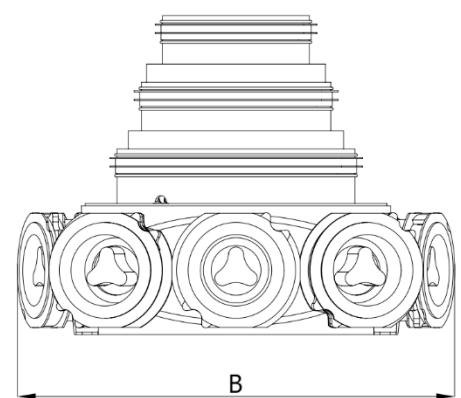
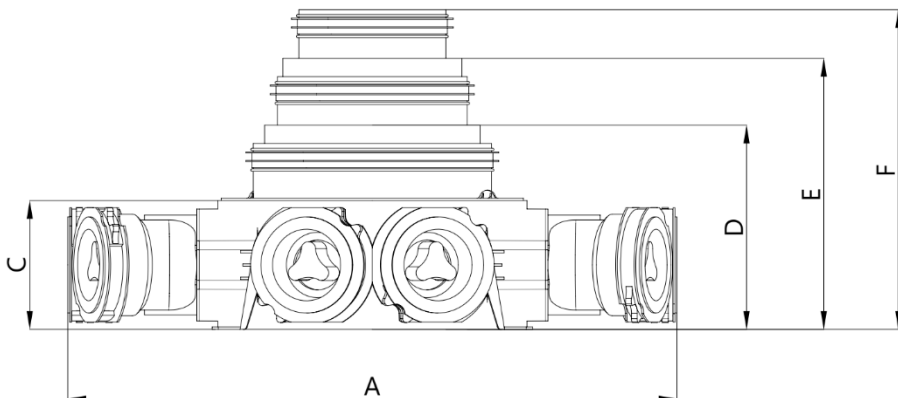
1. DISTRIBUTION BOX 10 X 75mm WITH MAIN SIDE CONNECTOR

SYSTEM	DIMENSION					
75 mm	Length A	Width B	Width C	Height D	Height E	Height F
	624 mm	545 mm	360 mm	106 mm	132 mm	167 mm



2. DISTRIBUTION BOX 10 X 75mm WITH MAIN CENTRAL CONNECTOR

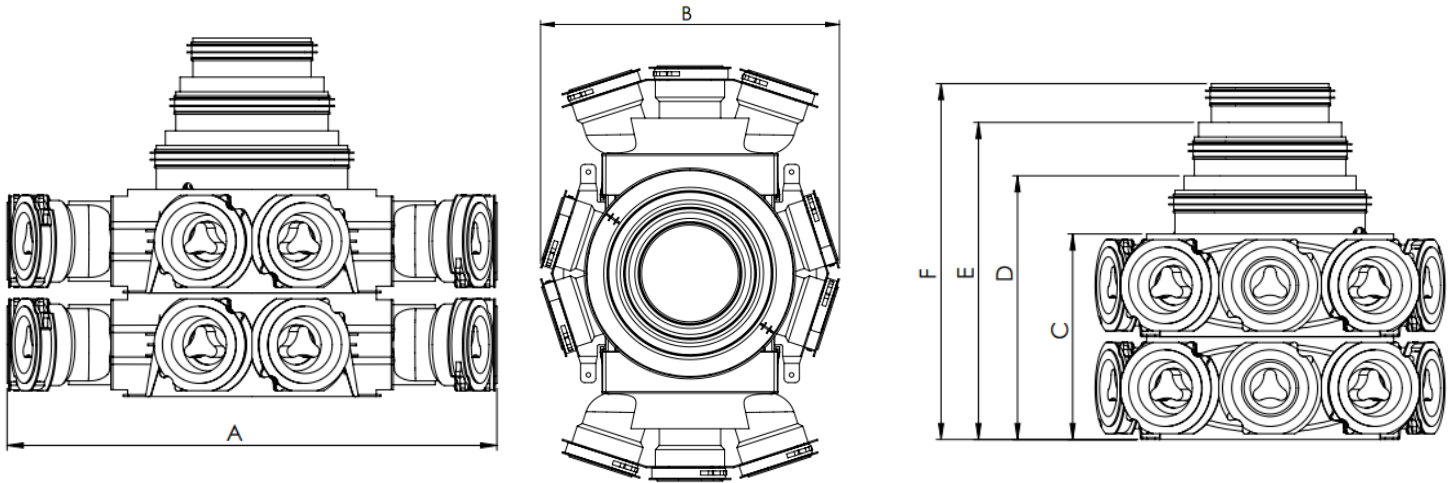
SYSTEM	DIMENSIONS					
75 mm	Length A	Width B	Height C	Height D	Height E	Height F
	498 mm	360 mm	106 mm	166 mm	221mm	261 mm



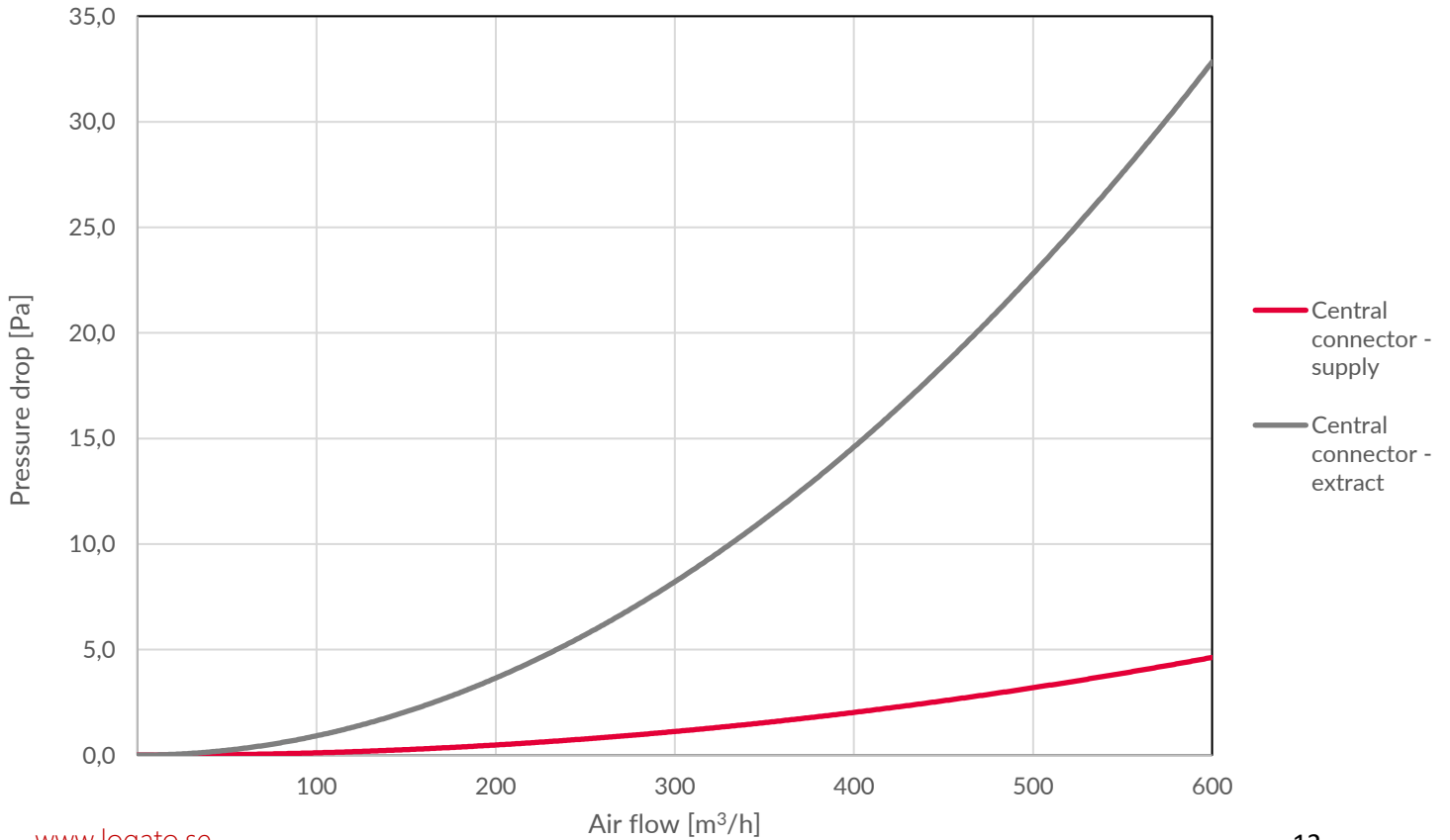


3. TWO DISTRIBUTION BOXES 10 X 75mm CONNECTED VERTICALLY WITH MAIN CENTRAL CONNECTOR

SYSTEM	DIMENSIONS					
75 mm	Length A	Width B	Height C	Height D	Height E	Height F
	498 mm	360 mm	214 mm	270 mm	326 mm	368 mm



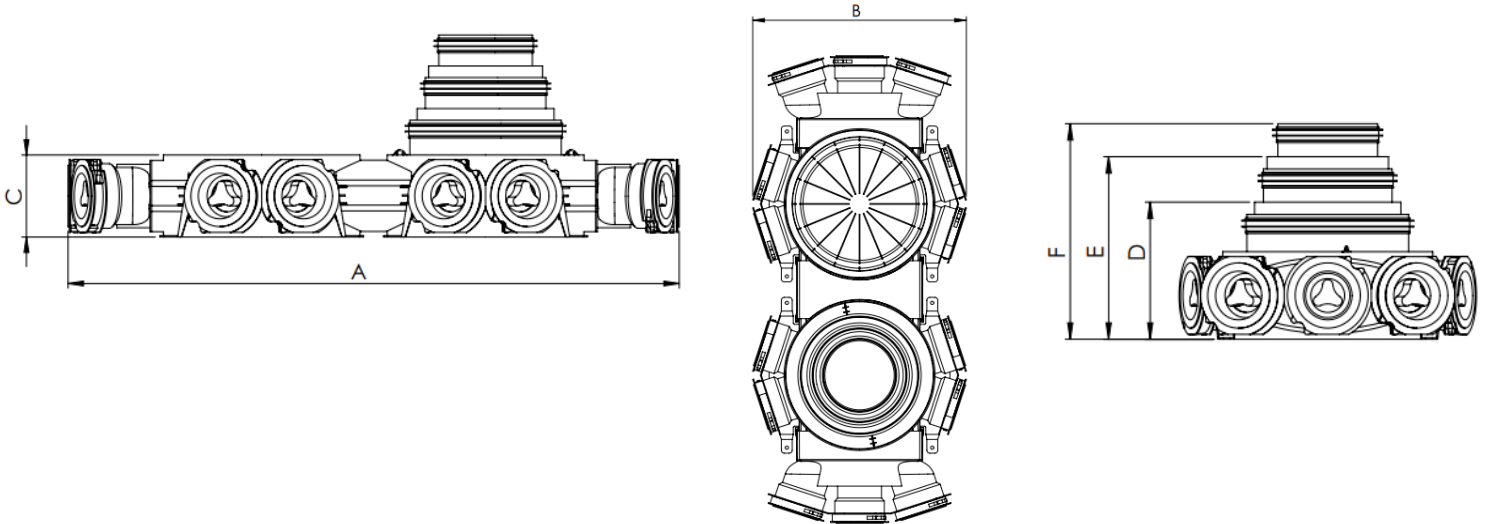
HEATPEX Aria Connect 10x75 Distribution box 2x vertical





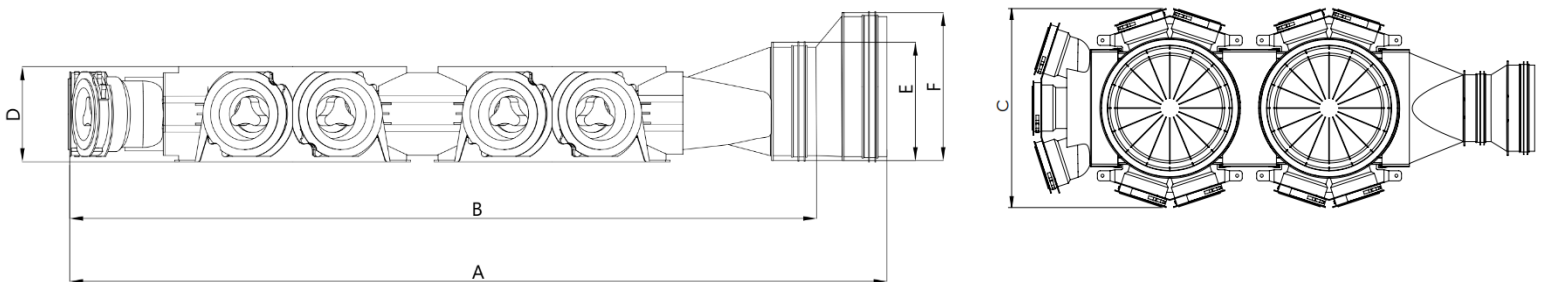
4. TWO DISTRIBUTION BOXES 10 X 75mm **CONNECTED HORIZONTALLY WITH MAIN CENTRAL CONNECTOR**

SYSTEM	DIMENSIONS					
75 mm	Length A	Width B	Height C	Height D	Height E	Height F
	789 mm	360 mm	106 mm	166 mm	221 mm	261 mm



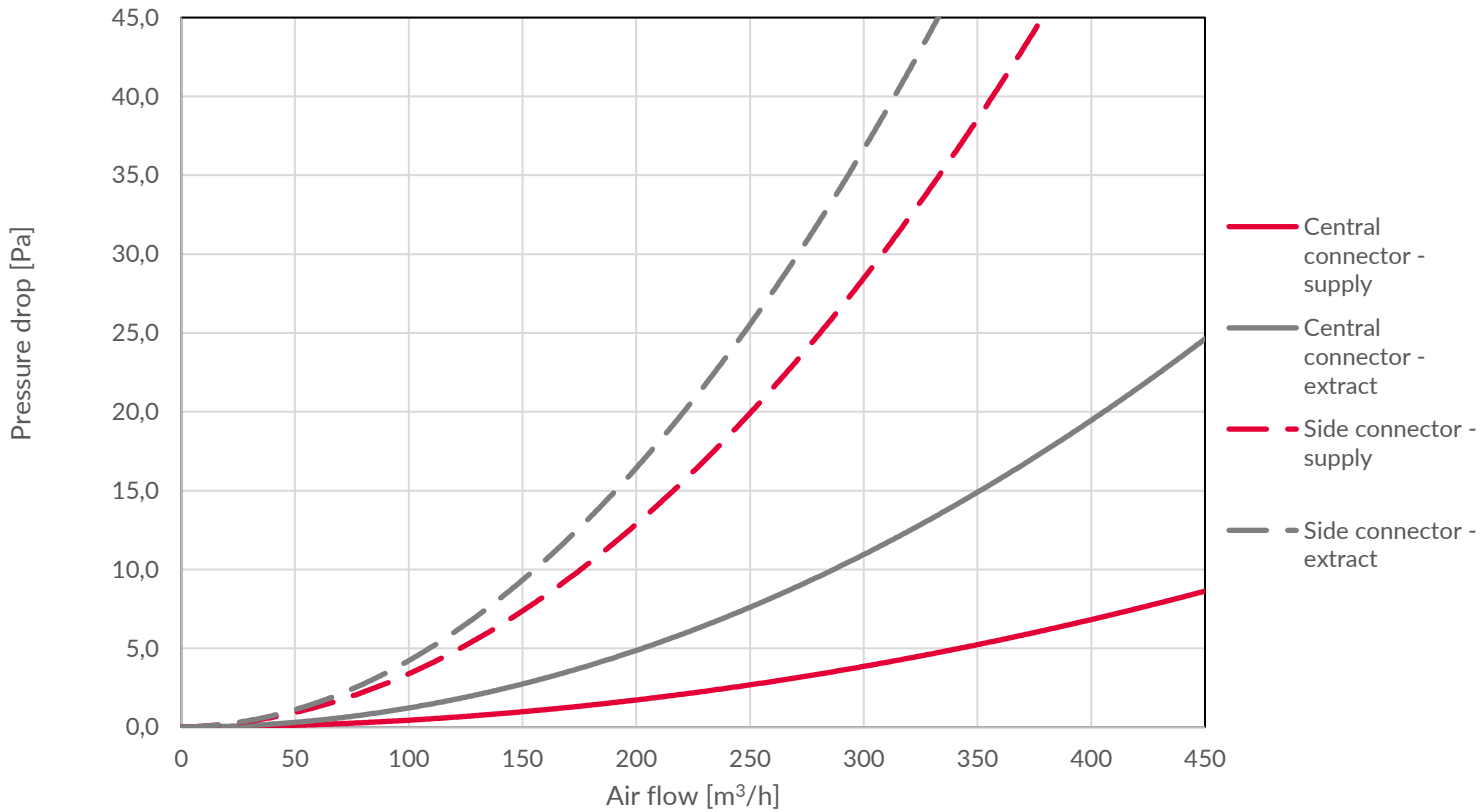
5. TWO DISTRIBUTION BOXES 10 X 75mm **CONNECTED HORIZONTALLY WITH MAIN SIDE CONNECTOR.**

SYSTEM	DIMENSIONS					
75 mm	Length A	Length B	Width C	Height D	Height E	Height F
	910 mm	847 mm	360 mm	106 mm	132 mm	167 mm



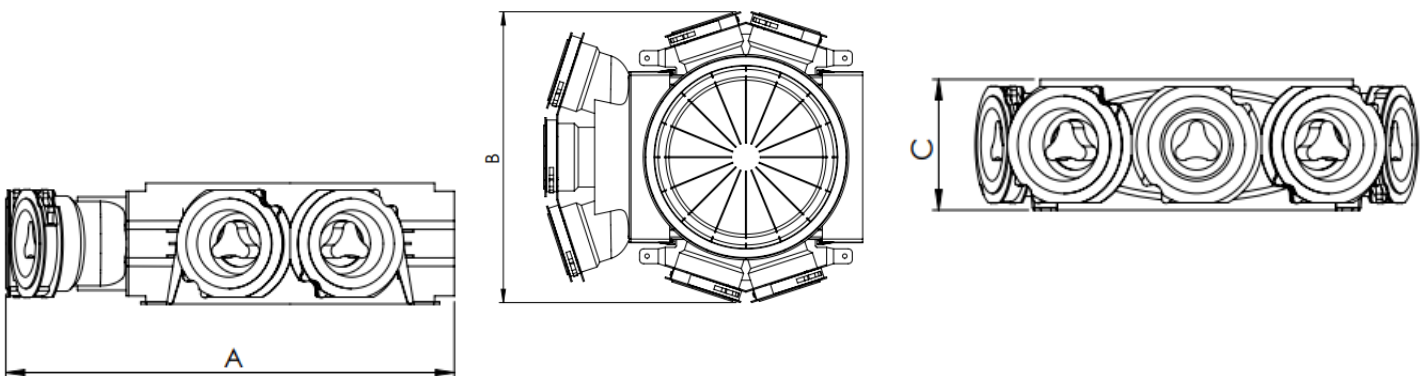


HEATPEX Aria Connect 10x75 Distribution box 2x horizontal



6. DISTRIBUTION BOX 10 X 75mm WITH DISTRIBUTION BOX END PLUG

SYSTEM	DIMENSIONS		
	Length A	Width B	Height C
75 mm	399 mm	360 mm	106 mm





Distribution box ARIA CONNECT with OneClick technology® is connected directly to the MHRV unit and used to supply fresh air into habitable rooms or extract used air from the „dirty“ rooms.

1 distribution box will allow the connection of up to 8x90 mm pipes and the main central or side approach. The installation requires the use of two sets of boxes – for supply air and for exhaust air..



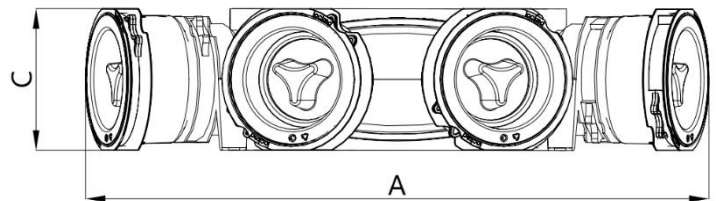
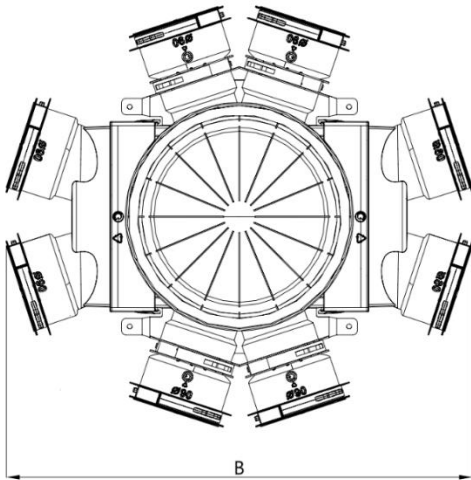
- ⊕ Sockets with gaskets and rings in the OneClick technology® - 8 x 90 mm in basic configuration allowing for quick and convenient installation of ventilation pipes.
- ⊕ Modular construction enables expansion with additional distribution boxes using horizontal (12 x 90 mm) and vertical couplings (16 x 90 mm)
- ⊕ Designed to be connected to the main central connector or the main side connector.
- ⊕ High mechanical resistance thanks to the use of specialized additive in the form of a plasticizer.
- ⊕ The highest airtightness class - ATC1 according to PN-EN 17192.

DISTRIBUTION BOX 8X90mm HEATPEX CONNECT ARIA



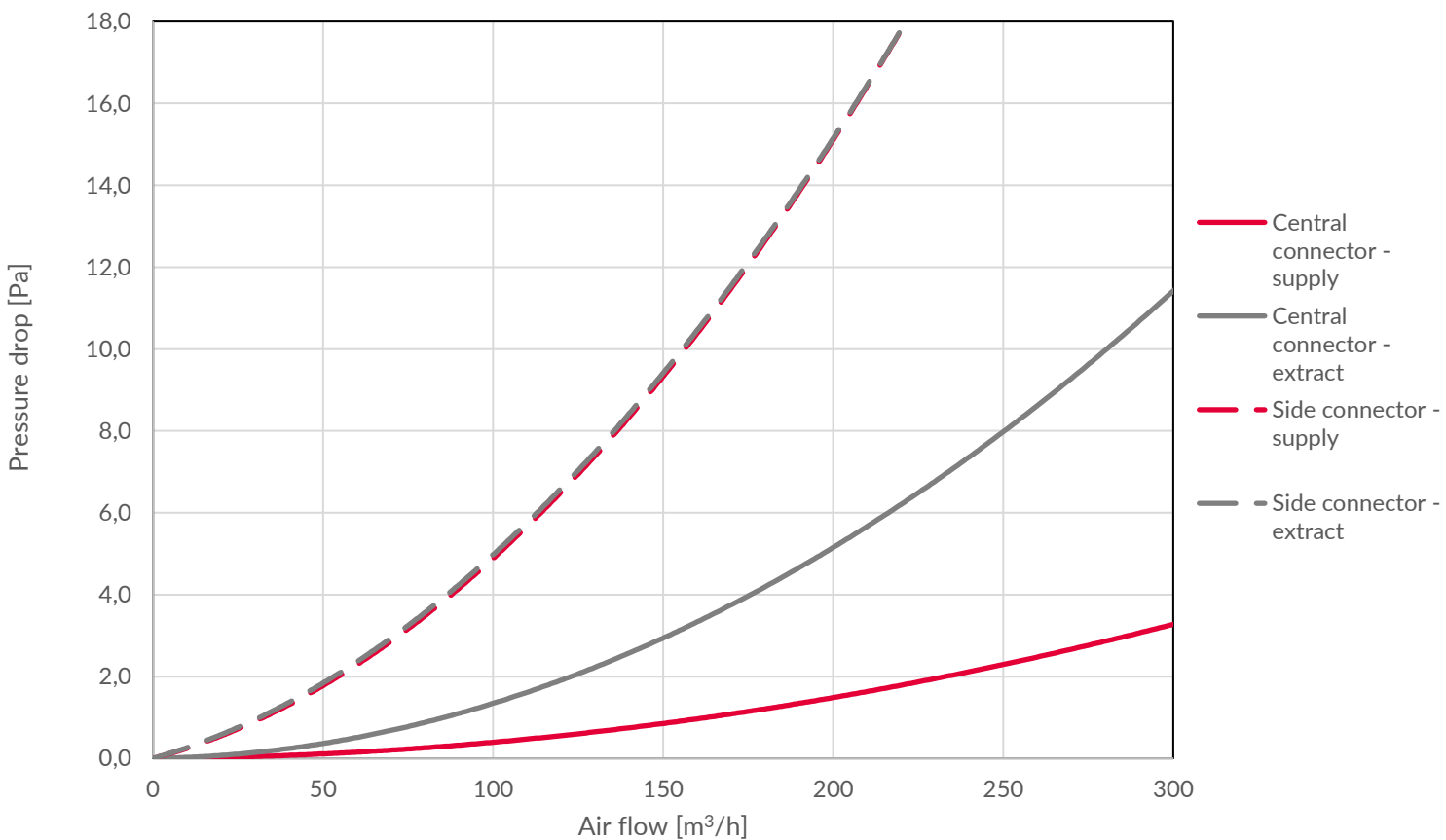


SYSTEM	DIMENSIONS			NUMBER OF SOCKETS	MATERIAL	WEIGHT	AIRTIGHTNESS CLASS	CATALOGUE NUMBER
	Length A	Width B	Height C					
90 mm	522 mm	470 mm	106 mm	8	PP	1,85 kg	ATC1	52309000100W



DISTRIBUTION BOX 8X90mm HEATPEX CONNECT ARIA

HEATPEX Aria Connect 8x90 Distribution box





1. DISTRIBUTION BOX 8x90 mm WITH MAIN SIDE CONNECTOR
2. DISTRIBUTION BOX 8x90 mm WITH MAIN CENTRAL CONNECTOR
3. TWO DISTRIBUTION BOXES 8x90 mm CONNECTED VERTICALLY WITH MAIN CENTRAL CONNECTOR.
4. TWO DISTRIBUTION BOXES 8x90 mm CONNECTED HORIZONTALLY WITH MAIN CENTRAL CONNECTOR.
5. TWO DISTRIBUTION BOXES 8x90 mm CONNECTED HORIZONTALLY WITH MAIN SIDE CONNECTOR.
6. DISTRIBUTION BOX 8x90 mm WITH DISTRIBUTION BOX END PLUG.

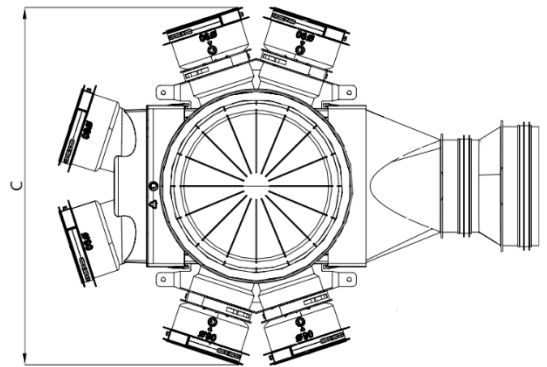
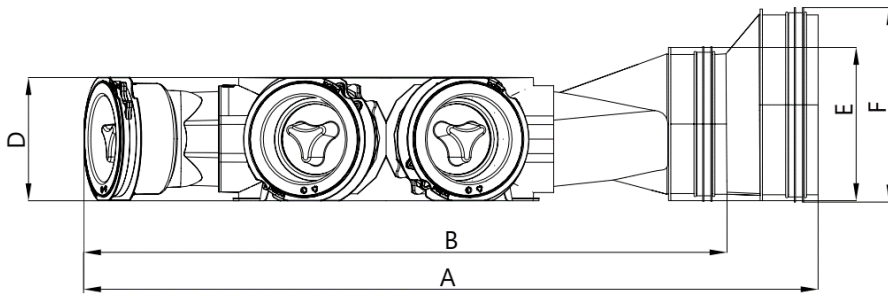
DISTRIBUTION BOXES CONFIGURATIONS





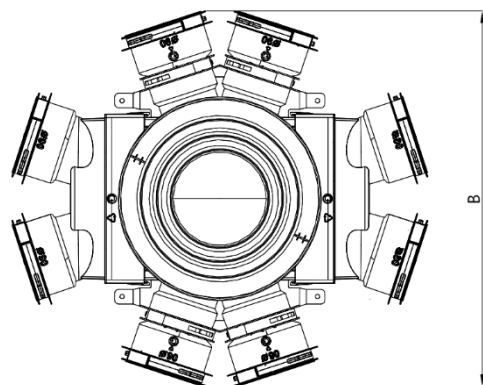
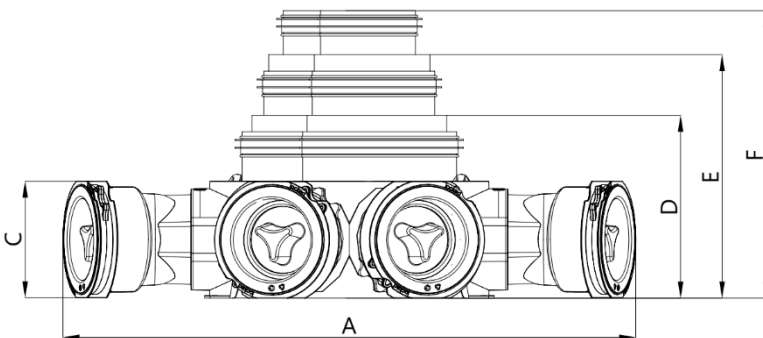
1. DISTRIBUTION BOX 8x90 mm WITH MAIN SIDE CONNECTOR

SYSTEM	DIMENSIONS					
90 mm	Length A	Length B	Width C	Height D	Height E	Height F
	624 mm	555 mm	470 mm	106 mm	132 mm	165 mm



2. DISTRIBUTION BOX 8x90 mm WITH MAIN CENTRAL CONNECTOR

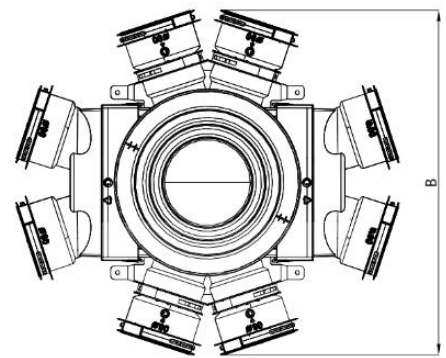
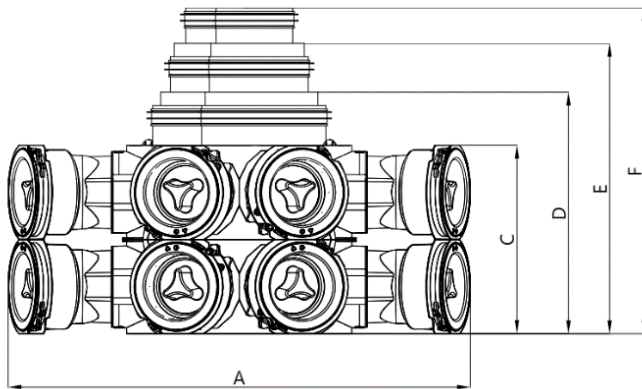
SYSTEM	DIMENSIONS					
90 mm	Length A	Width B	Height C	Height D	Height E	Height F
	522 mm	470 mm	106 mm	166 mm	221mm	261 mm



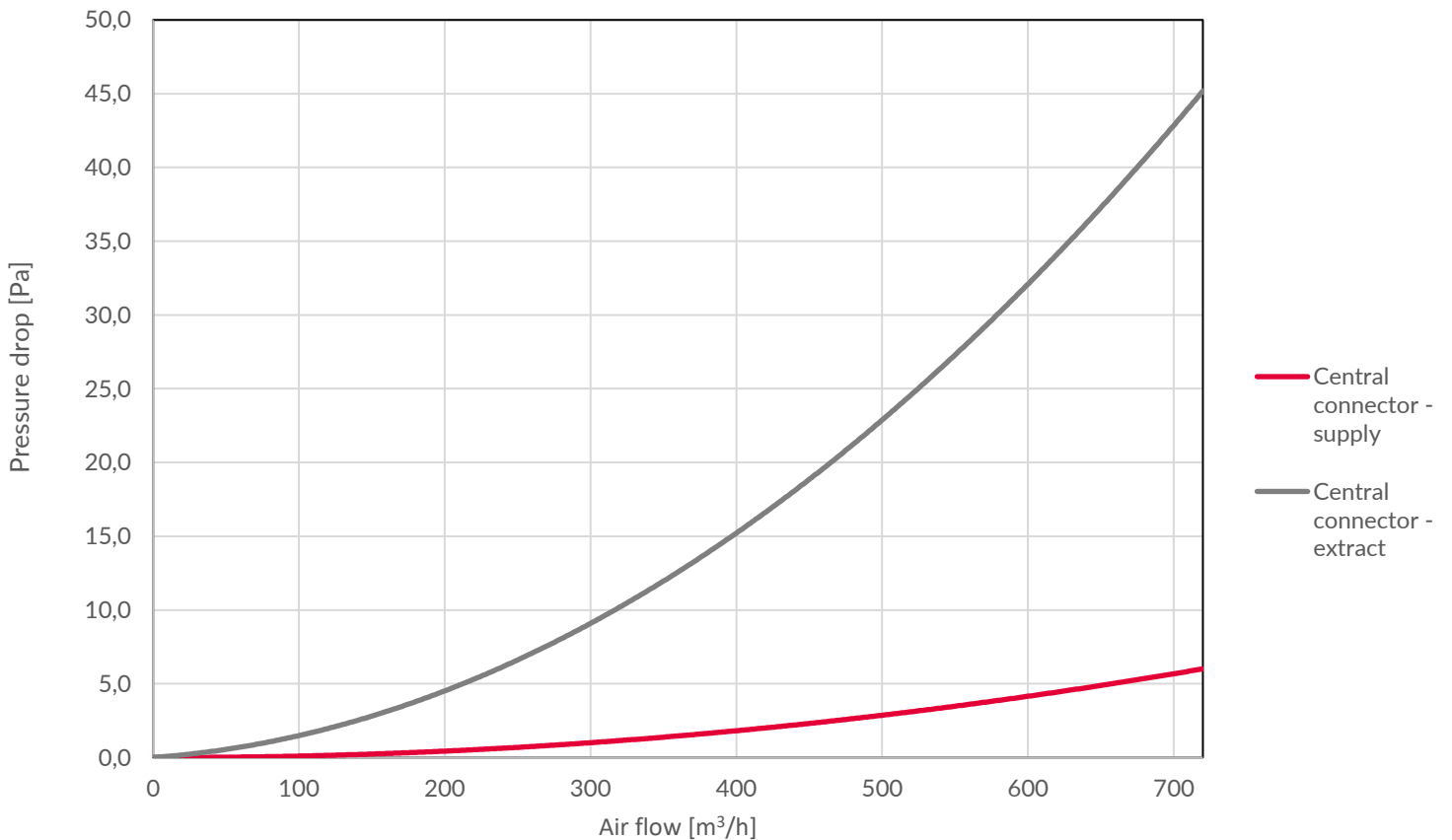


3. TWO DISTRIBUTION BOXES 8x90 mm CONNECTED VERTICALLY WITH MAIN CENTRAL CONNECTOR

SYSTEM	DIMENSIONS					
	Length A	Width B	Height C	Height D	Height E	Height F
90 mm	522 mm	470 mm	214 mm	270 mm	326 mm	368 mm



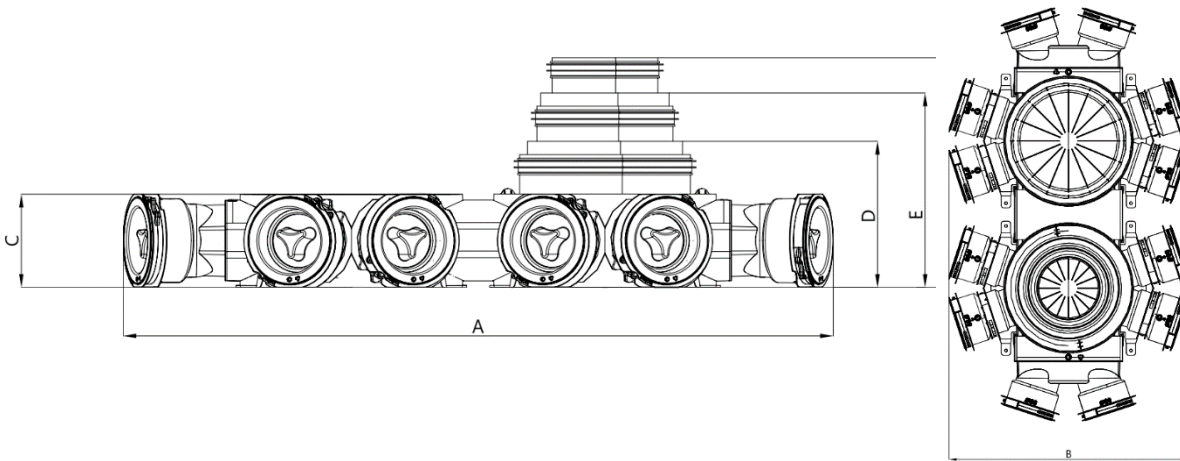
HEATPEX Aria Connect 8x90 Distribution box 2x vertical





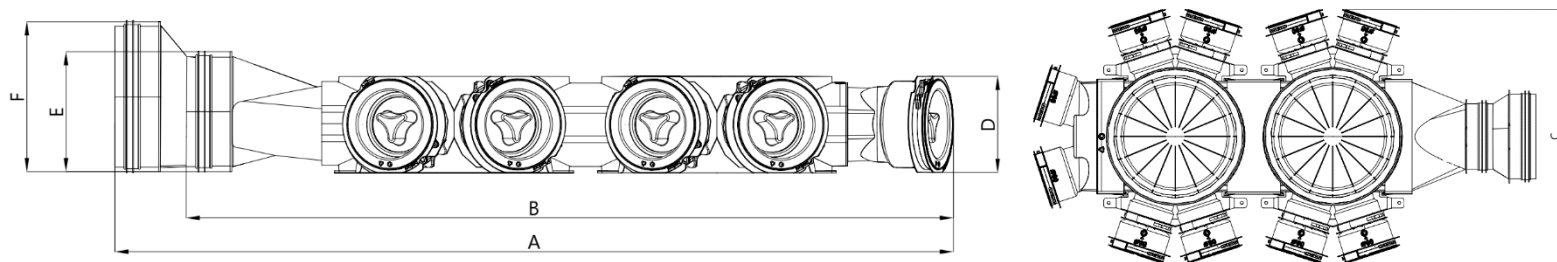
4. TWO DISTRIBUTION BOXES 8x90 mm CONNECTED HORIZONTALLY WITH MAIN CENTRAL CONNECTOR

SYSTEM	DIMENSIONS					
90 mm	Length A	Width B	Height C	Height D	Height E	Height F
	811 mm	470 mm	106 mm	166 mm	221 mm	261 mm



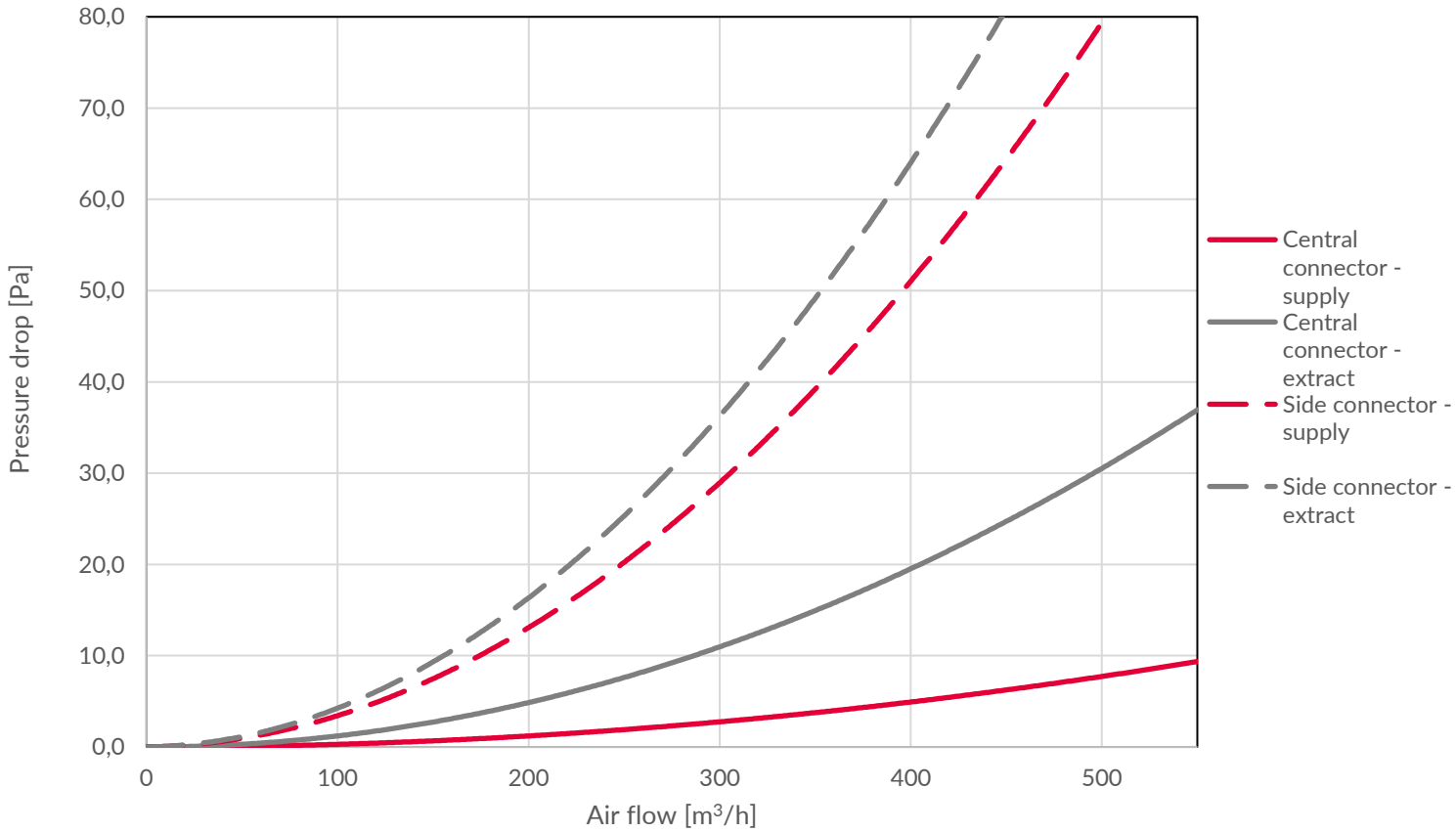
5. TWO DISTRIBUTION BOXES 8x90 mm CONNECTED HORIZONTALLY WITH MAIN SIDE CONNECTOR.

SYSTEM	DIMENSIONS					
90 mm	Length A	Length B	Width C	Height D	Height E	Height F
	925 mm	845 mm	470 mm	106 mm	132 mm	165 mm



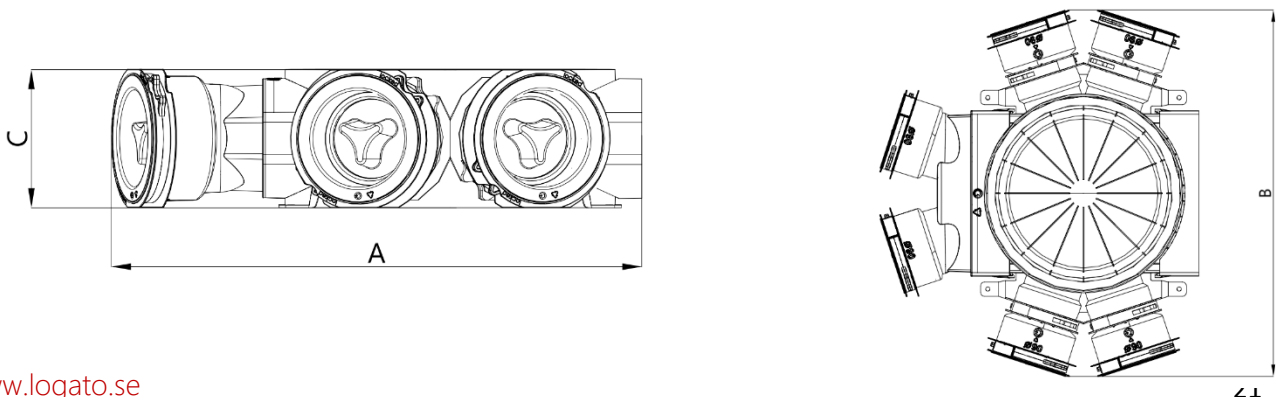


HEATPEX Aria Connect 8x90 Distribution box 2x horizontal



6. DISTRIBUTION BOX 8x90 mm WITH DISTRIBUTION BOX END PLUG

SYSTEM	DIMENSIONS		
90 mm	Length A	Width B	Height C
	407 mm	470 mm	106 mm





The plenum box with OneClick technology® allows the connection of up to 4 63mm ducts to a 125 mm supply / exhaust air diffuser. Factory-assembled, complete with a set of plugs and gaskets. Leave unused slots blanked. Constructed from high quality polypropylene.

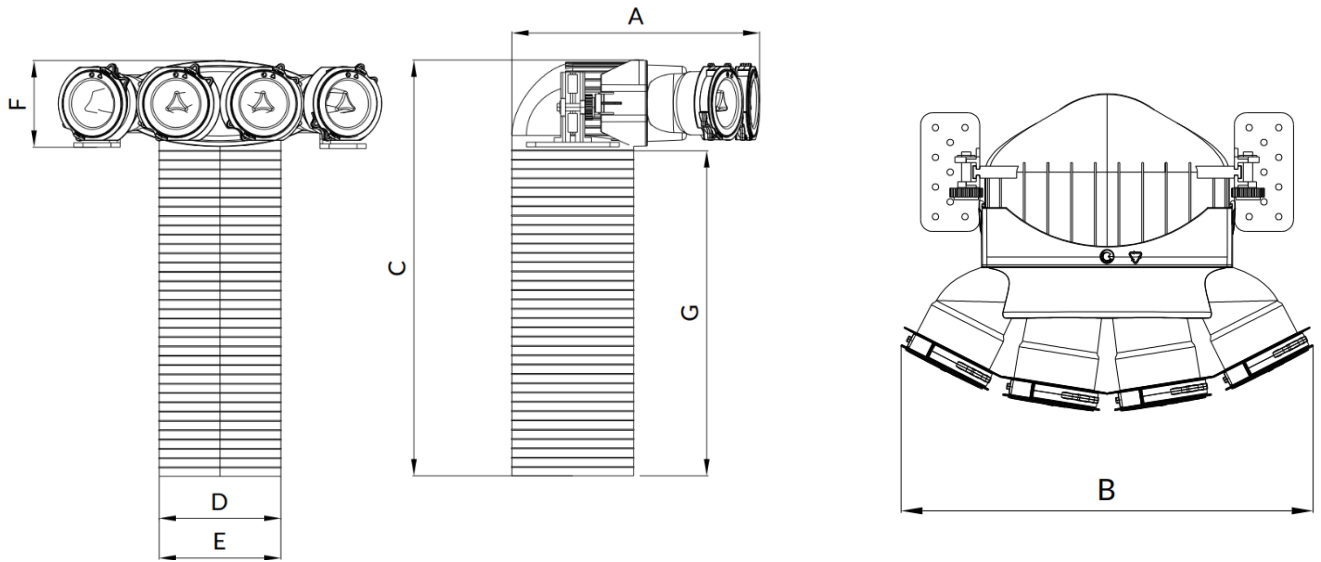
- ⌚ Sockets with gaskets and rings in the OneClick technology® (4x63 mm in basic configuration) allowing for quick and convenient installation of ventilation pipes.
- ⌚ Adaptable mounting flaps with height adjustment.
- ⌚ Smooth airflow adjustment thanks to a dedicated damper.
- ⌚ Ribs for easy cutting.
- ⌚ High mechanical resistance thanks to the use of a specialized additive in the form of a plasticizer
- ⌚ The highest airtightness class - ATC1 according to PN-EN 17192

PLENUM BOX 4X63mm HEATPEX ARIA CONNECT

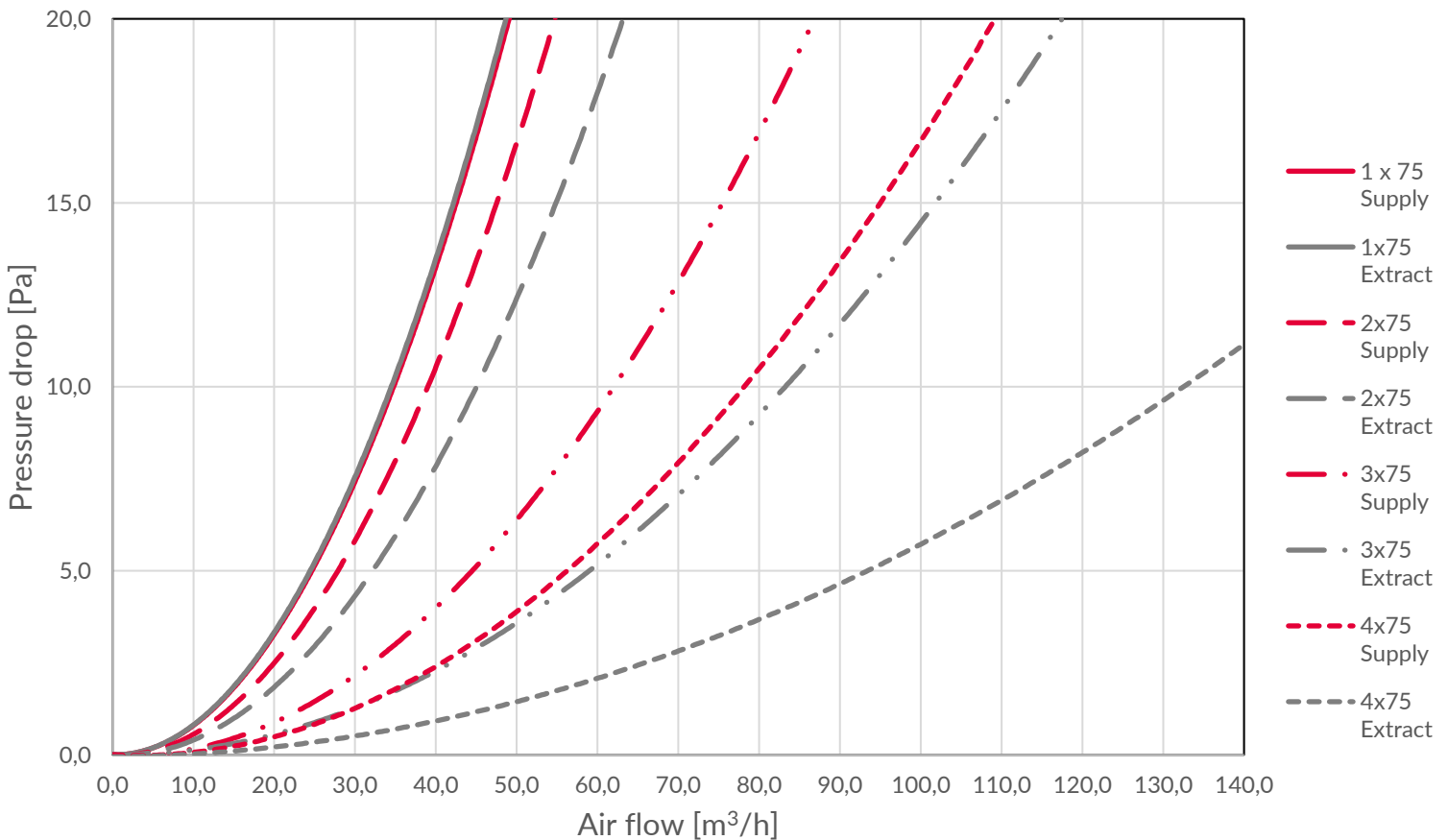




SYSTEM	DIMENSIONS							MAT.	NUMBER OF SOCKETS	WEIGHT	AIRTIGHTNESS CLASS	CATALOGUE NUMBER
	Length A	Width B	Height C	Internal diameter D	External diameter E	63 mm connection height F	125 mm pipe height G					
90 mm	267 mm	347 mm	447 mm	125 mm	131 mm	95 mm	349 mm	PP	4	0,78 kg	ATC1	52346300100W



HEATPEX ARIA CONNECT 4x63 Plenum box





The plenum box with OneClick technology® allows the connection of up to 3 75mm ducts to a 125 mm supply / exhaust air diffuser. Factory-assembled, complete with a set of plugs and gaskets. Leave unused slots blanked. Constructed from high quality polypropylene.

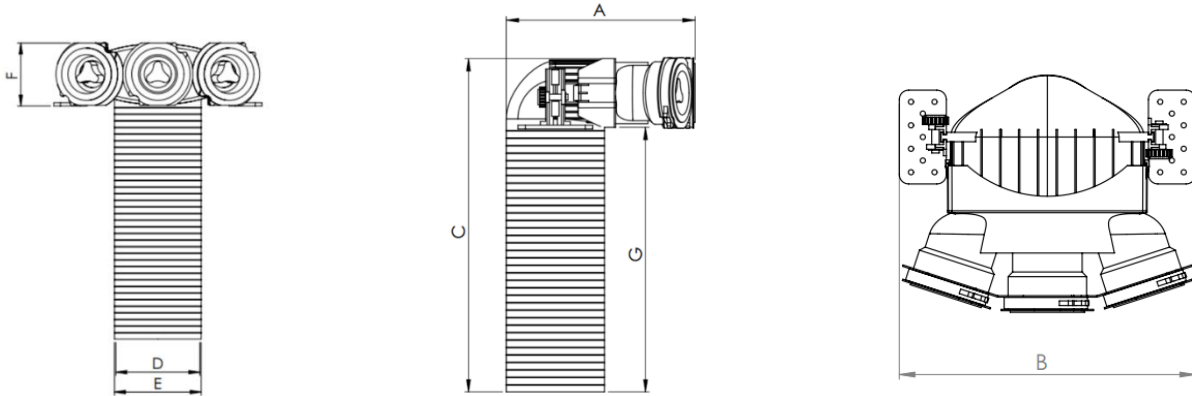
- ① Sockets with gaskets and rings in the OneClick technology® (3x75 mm in basic configuration) allowing for quick and convenient installation of ventilation pipes.
- ② Adaptable mounting flaps with height adjustment.
- ③ Smooth airflow adjustment thanks to a dedicated damper.
- ④ Ribs for easy cutting.
- ⑤ High mechanical resistance thanks to the use of a specialized additive in the form of a plasticizer
- ⑥ The highest airtightness class - ATC1 according to PN-EN 17192

PLENUM BOX 3X75mm HEATPEX ARIA CONNECT



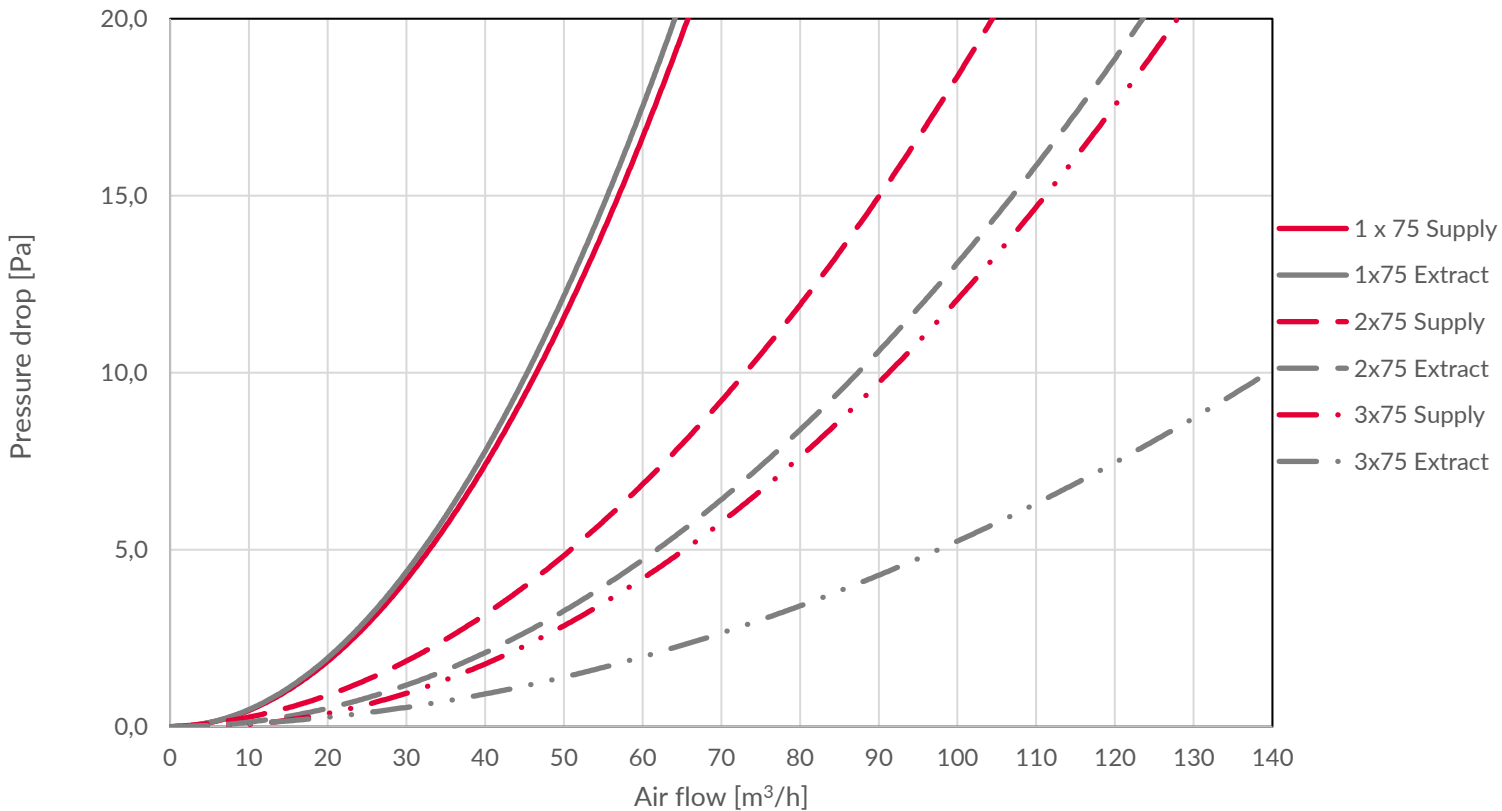


SYSTEM	DIMENSIONS							MAT.	NUMBER OF SOCKETS	WEIGHT	AIRTIGHTNESS CLASS	CATALOGUE NUMBER
	Length A	Width B	Height C	Internal diameter D	External diameter E	75 mm connection height F	125 mm pipe height G					
75 mm	248 mm	315 mm	447 mm	124,1 mm	128 mm	95 mm	349 mm	PP	3	0,754 kg	ATC1	52337500100W



PLENUM BOX 3X75mm HEATPEX ARIA CONNECT

HEATPEX ARIA CONNECT 3x75 Plenum box





TECHNICAL DATA SHEET

HEATPEX
ARIA

ONE
CLICK
technology



The plenum box with OneClick technology® allows the connection of up to 2 90mm ducts to a 125 mm supply / exhaust air diffuser. Factory-assembled, complete with a set of plugs and gaskets. Leave unused slots blanked. Constructed from high quality polypropylene.

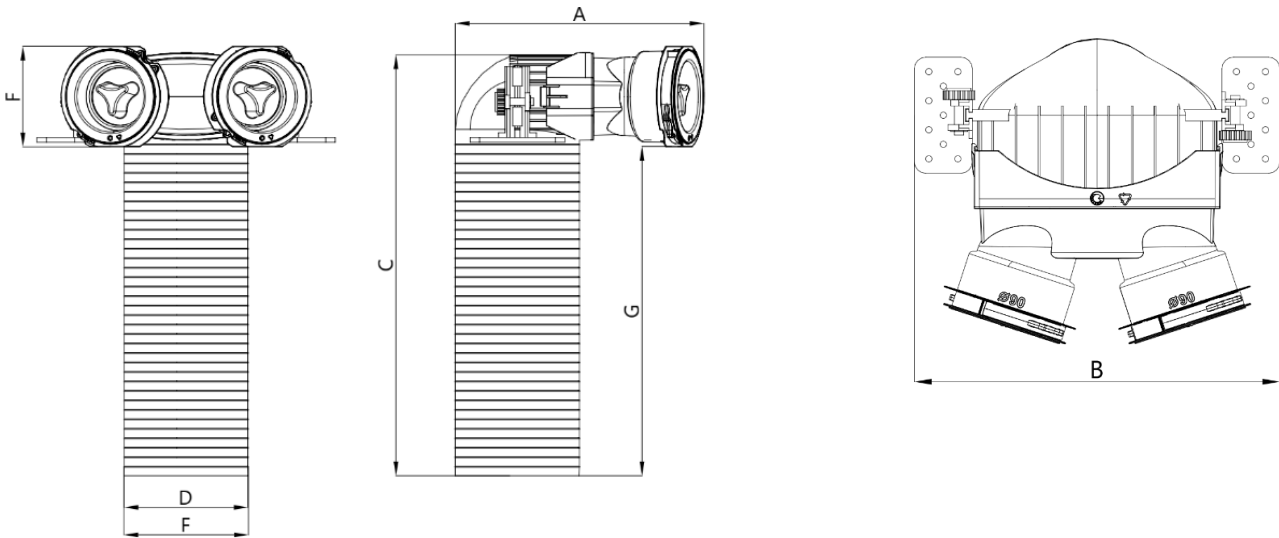
- ② Sockets with gaskets and rings in the OneClick technology® (2x90 mm in basic configuration) allowing for quick and convenient installation of ventilation pipes.
- ② Adaptable mounting flaps with height adjustment.
- ② Smooth airflow adjustment thanks to a dedicated damper.
- ② Ribs for easy cutting.
- ② High mechanical resistance thanks to the use of a specialized additive in the form of a plasticizer
- ② The highest airtightness class - ATC1 according to PN-EN 17192

PLENUM BOX 2X90mm HEATPEX ARIA CONNECT

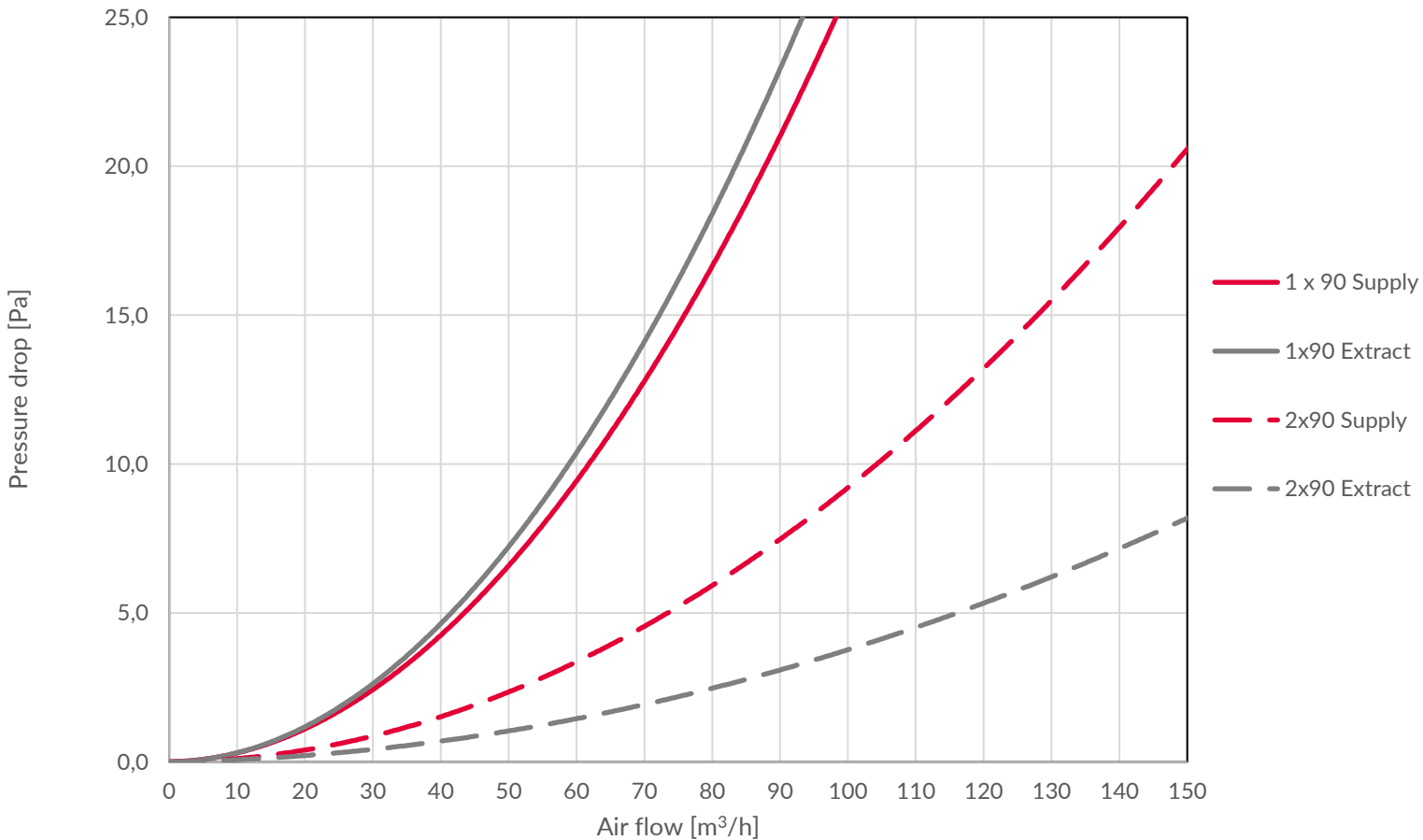




SYSTEM	DIMENSIONS							MAT.	NUMBER OF SOCKETS	WEIGHT	AIRTIGHTNESS CLASS	CATALOGUE NUMBER
	Length A	Width B	Height C	Internal diameter D	External diameter E	90 mm connection height F	125 mm pipe height G					
90 mm	263 mm	315 mm	447 mm	125 mm	128 mm	106 mm	349 mm	PP	2	0,78 kg	ATC1	52329000100W



HEATPEX ARIA CONNECT 2x90 Plenum box





The main central connector is used to join the distribution box with supply or exhaust (insulated) pipes attached to the MVHR unit. It is installed in the central slot of the distribution box.



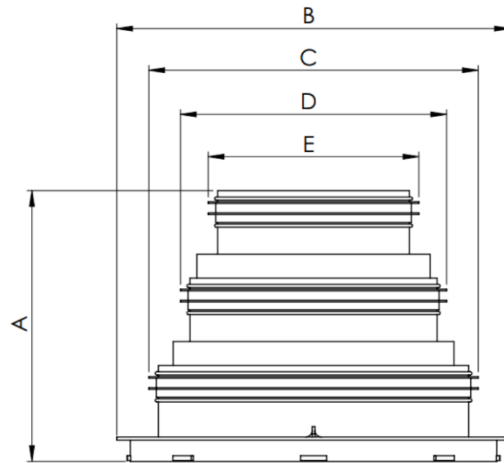
- ① **Fits both ventilation systems: 75 mm and 90 mm.**
- ② The connector is used to attach mass flow ducts (ARIA ADURO) for the transmission of large air flows to/from the heat recovery unit.
- ③ The connector's standard diameters make it possible to also connect metal (SPIRO) or other ducts.
- ④ The connector allows for standard connections of **pipe of 125, 160 and 200 mm diameter**. It comes equipped with high quality gaskets for all 3 dimensions.
- ⑤ **Additionally you connect 150 mm and 180 mm pipes**, however they require separate additional sealing. To minimise pressure losses, during installation, the smaller unused connection diameters should be cut off
- ⑥ The connector has grooves that facilitate cutting off the unnecessary part.
- ⑦ ARIA MVHR system is the only one on the market with the highest airtightness class – ATC 1 according to EN 17192, which guarantees quiet operation and greater energy saving

MAIN CENTRAL CONNECTOR HEATPEX ARIA CONNECT





SYSTEM	DIMENSIONS					MATERIAL	WEIGHT	AIRTIGHTNESS CLASS	CATALOGUE NUMBER
75/90 mm	Height A	Diameter B	Stub end diameter C	Stub end diameter D	Stub end diameter E	PP	0,287 kg	ATC 1	52410900100W
	170,4 mm	249 mm	200 mm	160 mm	125 mm				



MAIN CENTRAL CONNECTOR 125/160 HEATPEX ARIA CONNECT

* Pressure loss (75 mm system) – check data for Distribution box 10x75mm HEATPEX ARIA CONNECT





The connector is used to join supply or exhaust (insulated) pipes to either side of the distribution box



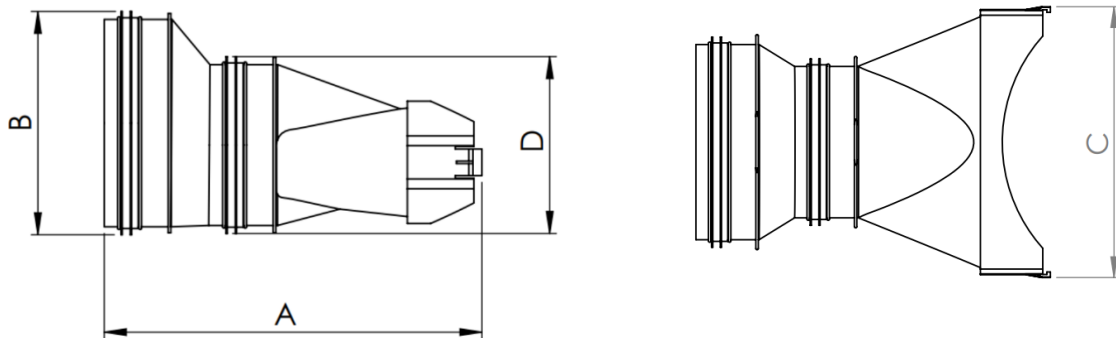
- ① **Fits both ventilation systems: 75 mm and 90 mm**
- ② The connector is fixed to the oval slot on either side of the distribution box, replacing the 3x75 mm or 2x90 mm modul
- ③ The connector is used to attach mass flow ducts (ARIA ADURO) for the transmission of large air flows to/from the heat recovery unit.
- ④ The connector's standard diameters make it possible to also connect metal (SPIRO) or other ducts
- ⑤ It allows for the connection of **125mm and 160mm pipes.**
- ⑥ The connector is provided with gaskets for 125 and 160 mm diameters. Gaskets ensure a tight and rigid connection.
- ⑦ The connector has a groove to facilitate the severance of 160 mm diameter, in case the 125mm is required. This is recommended in order to minimise pressure losses.
- ⑧ ARIA MVHR system is the only one on the market with the highest airtightness class – ATC 1 according to EN 17192, which guarantees quiet operation and greater energy saving.

MAIN SIDE CONNECTOR 125/160 HEATPEX ARIA CONNECT





SYSTEM	DIMENSIONS				MATERIAL	WEIGHT	AIRTIGHTNESS CLASS	CATALOGUE NUMBER
75/90 mm	Length A	Width C	Stub end diameter B	Stub end diameter D	PP	0,259 kg	ATC1	52411000100W
	284 mm	216 mm	160 mm	125 mm				



MAIN SIDE CONNECTOR HEATPEX ARIA CONNECT

* Pressure loss (75 mm system) – check data for Distribution Box 10X75mm HEATPEX ARIA CONNECT





The horizontal coupling is used to connect **two or more distribution boxes horizontally**.

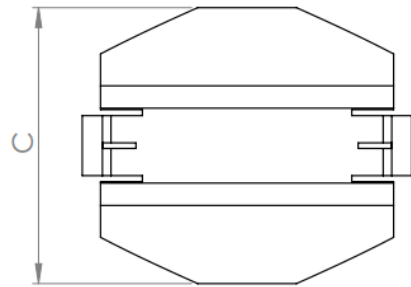
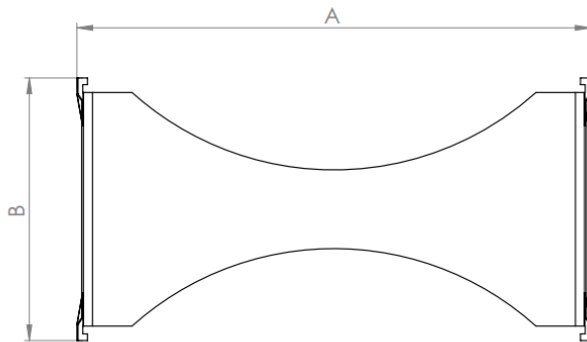
- ① **Fits both ventilation systems: 75 mm and 90 mm**
- ② The coupling plugs into the oval socket of the distribution box replacing the 3x75 mm or 2x90 mm module.
- ③ Connecting a second distribution box horizontally **increases the number of available sockets up to 14 (for 75 mm system) or up to 12 (for 90 mm system)**
- ④ The highest airtightness class – ATC1 according to EN 17192, ensures quiet operation and greater energy efficiency

HORIZONTAL COUPLING 75mm/ 90mm HEATPEX ARIA CONNECT





SYSTEM	DIMENSIONS			MATERIAL	WEIGHT	AIRTIGHTNESS CLASS	CATALOGUE NUMBER
75 mm/ 90mm	Length A	Width B	Height C	PP	0,65 KG	ATC1	52411100100w
	216 mm	110 mm	92 mm				



HORIZONTAL COUPLING 75mm/ 90mm HEATPEX ARIA CONNECT





A coupling for connecting **two or more distribution boxes vertically**.



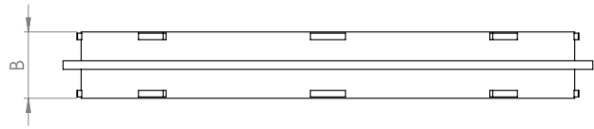
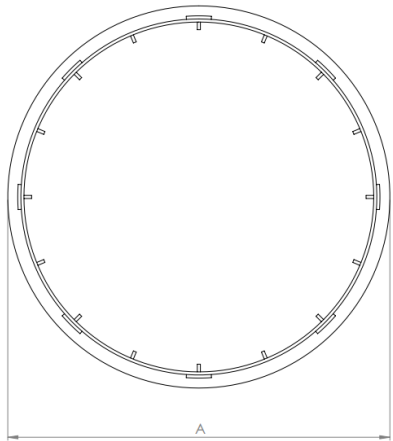
- ④ **Fits both ventilation systems: 75 mm and 90 mm.** The coupling plugs into the central slot of the distribution box
- ④ Connecting a second distribution box vertically **increases the number of available sockets up to 20 (for 75 mm system) or up to 16 (for 90 mm system)**
- ④ The coupling is equipped with finger loops for easy installation in the distribution box.
- ④ The highest airtightness class – ATC1 according to EN 17192, ensures quiet operation and greater energy efficiency

VERTICAL COUPLING 75mm/90mm HEATPEX ARIA CONNECT



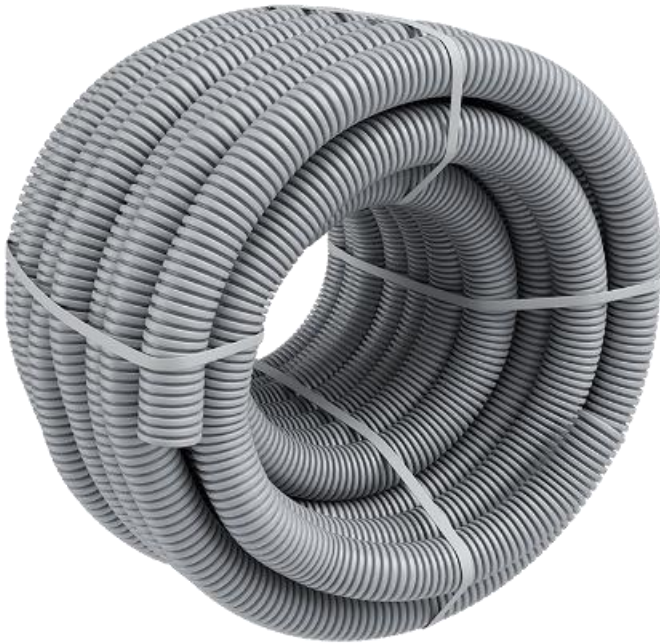


SYSTEM	DIMENSIONS		MATERIAL	WEIGHT	AIRTIGHTNESS CLASS	CATALOGUE NUMBER
75 mm/ 90 mm	Diameter A	Diameter B	PP	0,057 kg	ATC1	52411200100W
	249 mm	110 mm				



VERTICAL COUPLING 75mm/90mm HEATPEX ARIA CONNECT

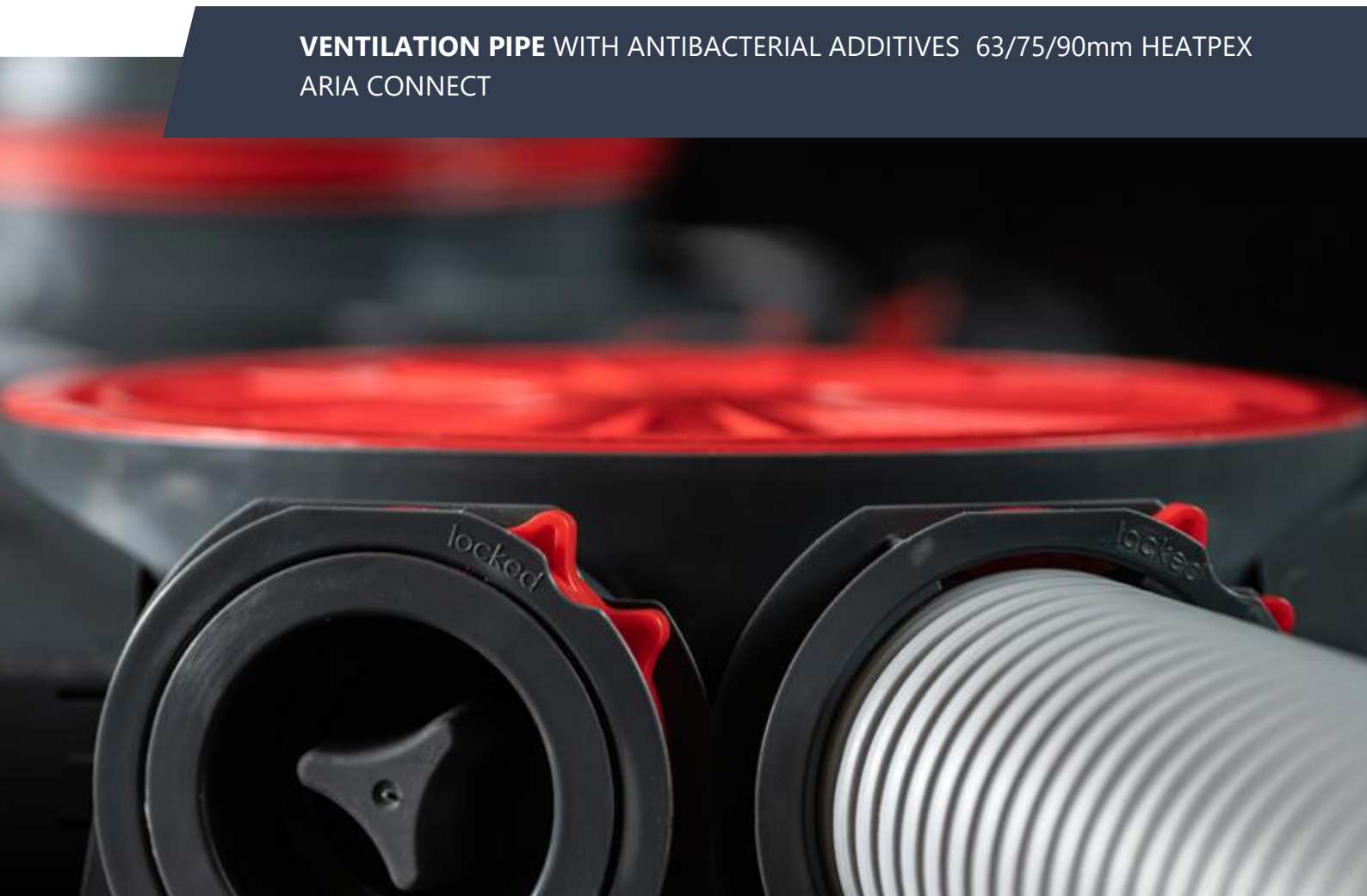




Semi-rigid corrugated pipe made of highest quality high-density polyethylene (PE-HD) with an outer diameter of **75 mm, 90 mm and 63 mm**

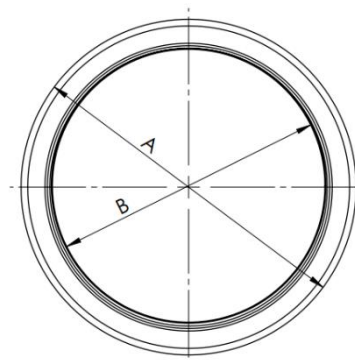
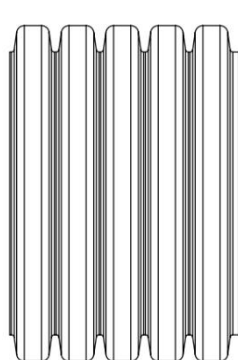
- ⌚ All HEATPEX semi-rigid corrugated pipes are made with antibacterial additives (provided by Ultra-Fresh®) ensuring 99,99% protection against microbes, bacteria, fungi etc
- ⌚ The antibacterial efficiency was confirmed by laboratory tests and the additives used pose no health hazard.
- ⌚ The pipe's semi-rigid characteristic allows for easy routing of ventilation ducts and effortless adaptation to installation requirements, without the need to use any tools, fittings or additional connectors
- ⌚ The smooth inner surface of the pipe reduces flow resistance to a minimum and makes cleaning easier.
- ⌚ High compressive strength of up to 500N means the pipes can be poured with concrete without the risk of mechanical damage
- ⌚ Very good noise reduction thanks to the double-walled pipe structure.
- ⌚ ARIA MVHR system is the only one on the market with the highest airtightness class – ATC 1 according to EN 17192, which guarantees quiet operation and greater energy saving.

VENTILATION PIPE WITH ANTIBACTERIAL ADDITIVES 63/75/90mm HEATPEX ARIA CONNECT





SYSTEM	DIMENSIONS			MATERIAL	WEIGHT	AIRTIGHTNESS CLASS	CATALOGUE NUMBER
	Outer diameter A	Inner Diameter B	Coil length				
63 mm	64 mm	52 mm	50 m	PE-HD	0,240 kg/m	ATC1	52006305000W
75 mm	76 mm	62,5 mm	50 m	PE-HD	0,273 kg/m	ATC1	52007505000W
90 mm	91 mm	75 mm	50 m	PE-HD	0,400 kg/m	ATC1	52009005000W

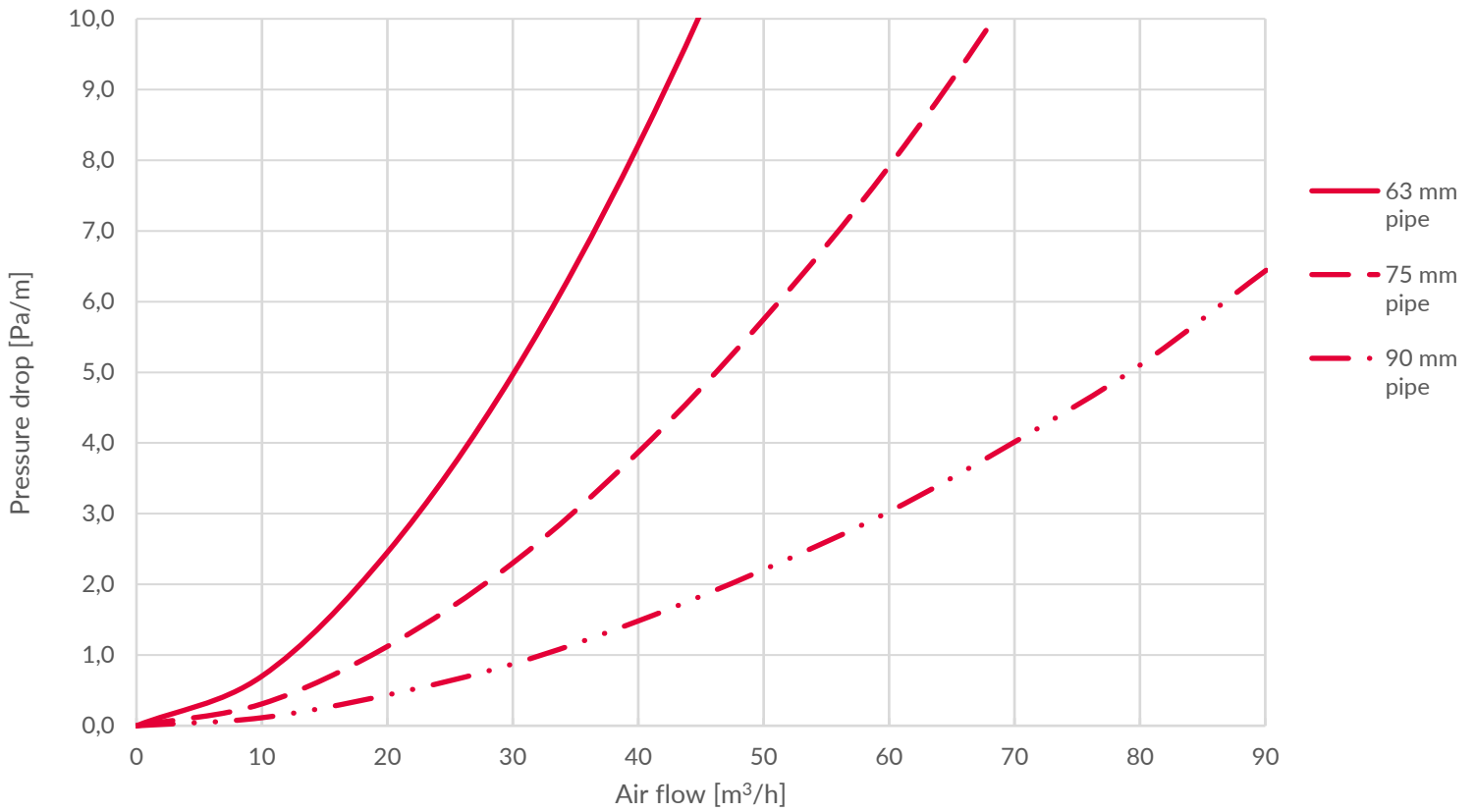


VENTILATION PIPE WITH ANTIBACTERIAL ADDITIVES 63/75/90mm HEATPEX ARIA CONNECT

APPLICATION	supply and extraction of air in residential buildings		
VOLUMETRIC FLOW at 3.0 m/s (max recommended)	Pipe 90 mm 48 m ³ /h	Pipe 75 mm 34 m ³ /h	Pipe 63 mm 22 m ³ /h
INSTALLATION	floor / wall / ceiling		
FIRE CLASSIFICATION	D-s2, d0 (according to PN EN-13501:2019-02)		
RESISTANCE TO EXTERNAL PRESSURE	500N		
ANTISTATIC	YES		
ANTIBACTERIAL	R=3,3 ATCC6538P / R = 2,6 ATCC8739 (according to ISO 22196)		
MINIMUM BEND RADIUS	Pipe 90 mm 180 mm	Pipe 75 mm 150 mm	Pipe 63 mm 130 mm
WORKING TEMPERATURE	-5°C - +50°C		



HEATPEX Aria Connect Pipe





Damper made of EVA foam. It helps to adjust the ventilation system and effectively reduces noise.

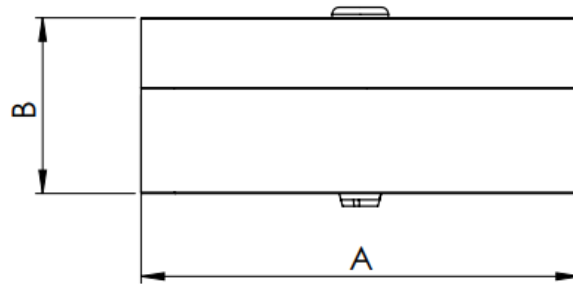
- ⌚ Effective noise reduction.
- ⌚ Easy installation inside the plenum box.
- ⌚ Stepless adjustment of the air flow rate by turning the damper disc.
- ⌚ The highest airtightness class – ATC1 according to EN 17192, ensures quiet operation and greater energy efficiency

DAMPER/SILENCER 125mm HEATPEX ARIA CONNECT





SYSTEM	DIMENSION		MATERIAL	WEIGHT	AIRTIGHTNESS CLASS	CATALOGUE NUMBER
75 mm/ 90 mm	Diameter A	Height B	EVA	0,05 kg	ATC1	52002400100W
	128 mm	50 mm				



DAMPER/SILENCER 125mm HEATPEX ARIA CONNECT





End plug for distribution box allowing to install the box next to the wall. Useful when only limited space is available and the distribution box has to be placed directly by the wall.

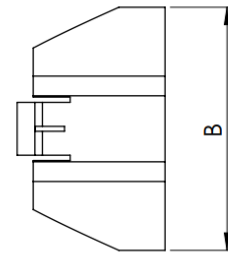
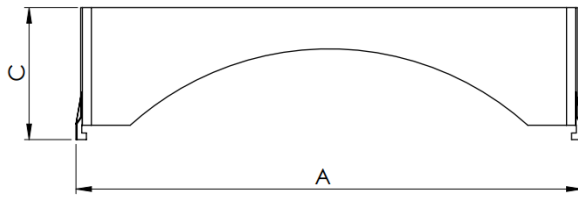
- ⊕ **Fits both distribution boxes: 75 mm and 90 mm.**
- ⊕ Allows to install distribution box next to the wall.
- ⊕ Shortens the length of the distribution box by 10 cm to 40 cm.
- ⊕ Installed in place of a 3x75 mm or 2x 90 mm module.

DISTRIBUTION BOX END PLUG HEATPEX ARIA CONNECT





SYSTEM	DIMENSION			MATERIAL	WEIGHT	AIRTIGHTNESS CLASS	CATALOGUE NUMBER
75 mm/ 90 mm	Width A	Height B	Depth C	PP	ATC 1	ATC1	52001100100W
	216 mm	92 mm	55 mm				



DISTRIBUTION BOX END PLUG HEATPEX ARIA CONNECT





Disc-type diffuser used to supply air to rooms.

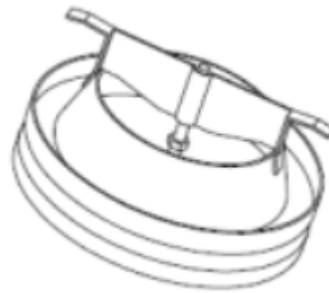
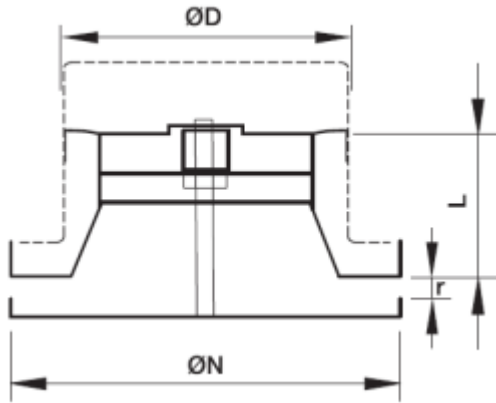
- ⊕ **Fits both plenum boxes: 75 mm and 90 mm.**
- ⊕ Designed for installation inside the HEATPEX ARIA CONNECT plenum box
- ⊕ Diameter 125 mm
- ⊕ The supply diffuser has additional PE insulation
- ⊕ All diffusers come with an additional flange provided with a gasket which maintains high level of tightness.
- ⊕ It is manufactured from steel sheet, powder coated. Standard color white (RAL 9010).
- ⊕ Smooth air flow adjustment by rotating air diffuser plate
- ⊕ Low noise level

SUPPLY DIFFUSER 125 mm HEATPEX ARIA CONNECT



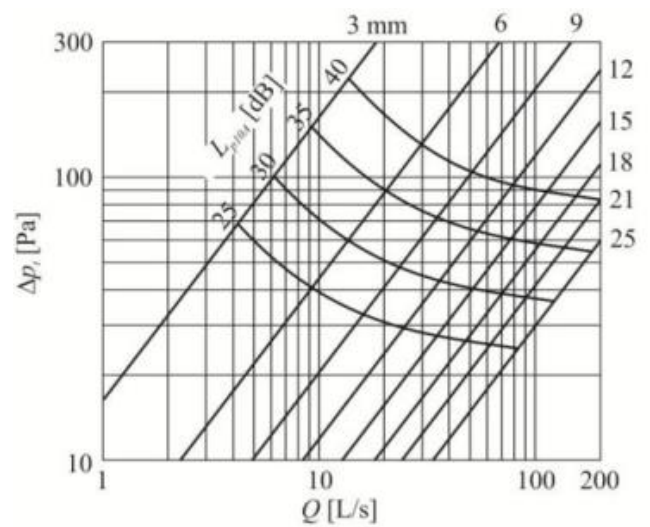


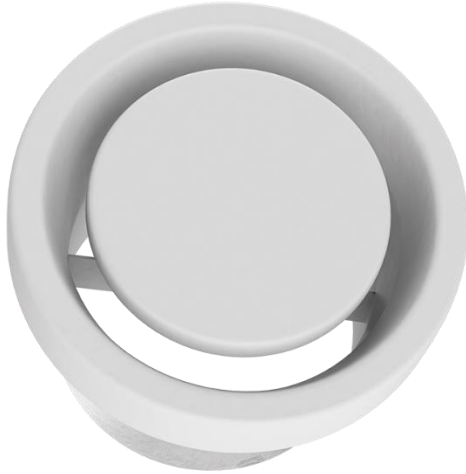
SYSTEM	DIMENSION			WEIGHT	MATERIAL	CATALOGUE NUMBER
75/90 mm	Flange nominal diameter D	Outside diameter N	Height L	0,5 kg	Steel	520021001W
	125 mm	160 mm	60 mm			



SUPPLY DIFFUSER 125 mm HEATPEX ARIA CONNECT

The graph shows the relationship between flow rate, noise level and total pressure drop.





Disc is used to extract air from rooms.

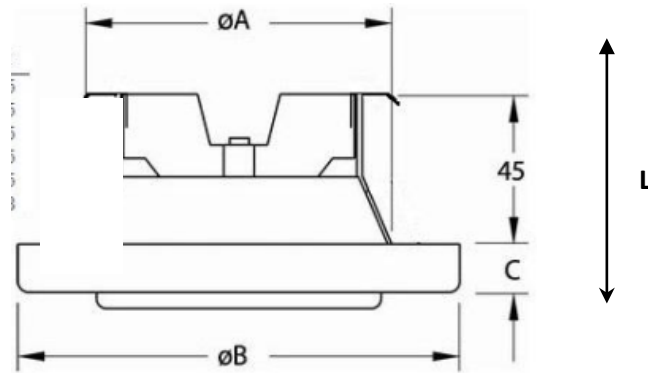
- ④ **Fits both plenum boxes: 75 mm and 90 mm.**
- ④ Designed for installation inside the HEATPEX ARIA CONNECT plenum box
- ④ Diameter: 125 mm
- ④ All diffusers come with an additional flange provided with a gasket which maintains high level of tightness.
- ④ Smooth air flow adjustment by rotating air diffuser plate
- ④ It is manufactured from steel sheet, powder coated. Standard color white (RAL 9010).

EXHAUST DIFFUSER 125mm HEATPEX ARIA CONNECT





SYSTEM	DIMENSION				WEIGHT	MATERIAL	CATALOGUE NUMBER
75/90 mm	Flange nominal diameter	Outside diameter	Height	Flange height	0,5 kg	Steel	520022001W
	A	B	L	C			
	125 mm	160 mm	60 mm	15 mm			



EXHAUST DIFFUSER 125mm HEATPEX ARIA CONNECT

